



CORE FXQ38BW FXQ50BW

THERMAL IMAGING SCOPE -
FRONT ATTACHMENT

I N S T R U C T I O N S

ENGLISH / FRANÇAIS / DEUTSCH / ESPAÑOL / ITALIANO / РУССКИЙ



pulsar-vision.com

Attention!

CORE thermal imaging devices require a license if exported outside your country.

Attention!

Les dispositifs thermiques CORE nécessitent une licence s'ils sont exportés hors de votre pays.

Achtung!

Wärmebildgeräte CORE benötigen eine Lizenz, wenn sie außerhalb Ihres Landes exportiert werden.

¡Atención!

Los dispositivos de visión térmica CORE requieren una licencia si se exportan fuera de su país.

Attenzione!

I dispositivi termici CORE necessitano una licenza se esportati al di fuori del proprio paese.

Внимание!

Тепловизионные приборы CORE требуют лицензии, если они экспортируются за пределы Вашей страны.

CORE FXQ38BW FXQ50BW

THERMAL IMAGING SCOPE - FRONT ATTACHMENT

THERMAL IMAGING SCOPE - FRONT ATTACHMENT CORE FXQ38/50BW	2-17	ENGLISH
CAMÉRA - ATTACHMENT THERMIQUE CORE FXQ38/50BW	18-33	FRANÇAIS
WÄRMEBILDGERAT - VORDERANSATZ CORE FXQ38/50BW	34-49	DEUTSCH
VISOR TÉRMICO - VISOR ACOPLABLE CORE FXQ38/50BW	50-65	ESPAÑOL
TERMOCAMERA - VISORE APPLICABILE ANTERIORMENTE CORE FXQ38/50BW	66-81	ITALIANO
ТЕПЛОВИЗИОННЫЙ МОНОКУЛЯР - НАСАДКА CORE FXQ38/50BW	82-97	РУССКИЙ

⚡ SPECIFICATIONS

SKU	76453BW	76459BW
Model	Core FXQ38BW	Core FXQ50BW
Microbolometer characteristics:		
Detector type	Uncooled	Uncooled
Resolution, pixels	384x288	384x288
Pixel size, µm	17	17
Refresh rate, Hz	50	50
Optical characteristics:		
Magnification, x		
- monocular	3.1	4.1
- attachment	1	1
Lens	F38/1.2	F50/1.2
Digital zoom, x	2	2
Monocular's eye relief, mm	16	16
Monocular's exit pupil, mm	5	5
Horizontal Field of view, m @100m	9.8 / 17.2	7.5 / 13.1
Diopter adjustment, D	+5/-5	+5/-5
Detection distance of an animal 1.7 m high, m/yard, approx.	1350 / 1475	1800 / 1970
Close-up range, m	3-5	5-7
Max. recommended magnification of day device, x	3	5
Display:		
Type	AMOLED	
Resolution, pixel	640x480	640x480
Operational characteristics:		
Power supply	5 - 7.2 V	5 - 7.2 V
Battery type	2xCR123A	2xCR123A
External power supply	5V (USB) / 12V (EPS)	
Max. operating time on a battery set, h	4	4
Degree of protection, IP code (IEC60529)	IPX7* / IPX5**	IPX7* / IPX5**
Operating temperature, °C (°F)	-25 ... +50 (-13 ... +122)	
Dimensions, mm	180x65x60 / 7x2.6x2.4	190x65x60 / 7.5x2.6x2.4
Weight (without/with batteries), kg	0,38 / 0,46	0,4 / 0,48
oz	13,4 / 16,22	14,1 / 17

* Not supported when replacing eyepiece during rain

** When used with an external battery

⚡ PACKAGE CONTENTS

- Monocular **CORE**
- Attachment's eyepiece
- Carrying case
- Hand strap
- External power adapter
- USB cable
- Wireless remote control
- User manual
- Cleaning cloth
- Warranty card

The design and software of this product are subject to change for development purposes. The latest edition of this user manual is available at <http://www.pulsar-vision.com>

⚡ DESCRIPTION

CORE is a multifunctional thermal imaging device that can be operated either as a monocular or a front attachment. The **CORE** unit as an attachment is designed for the use in the nighttime and in the daylight in inclement weather conditions (fog, smog, rain) to see through obstacles hindering detection of targets (branches, tallgrass, thick bushes etc.).

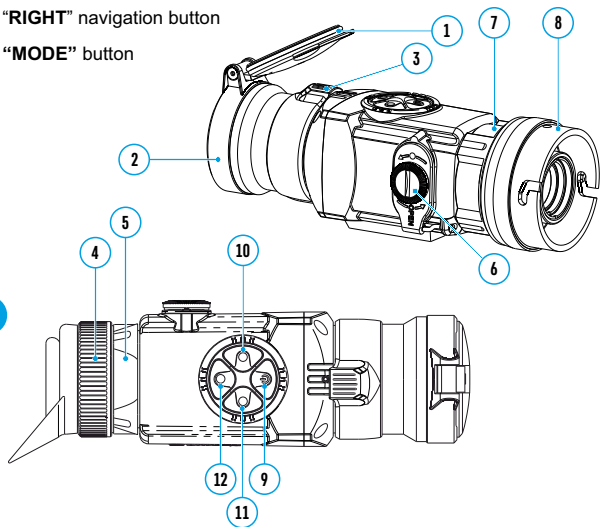
CORE as a monocular allows the user to observe an object at a distance of above 1000 metres. Unlike the image intensifier tube based night vision devices, thermal imagers **CORE** do not require an external source of light and are not affected by bright light exposure. The **CORE** unit has a wide range application including night hunting, observation and terrain orientation, search and rescue operations.

⚡ FEATURES

- Quick "monocular-attachment" conversion (2 in 1 unit)
- Quick mounting and removal of attachment
- Detection range above 1 km
- High contrast monochrome display
- Increased Recognition and Detection Software (IRIS technology) (software based on intellectual dynamic equalization algorithm)
- Monocular's digital zoom 2x
- Three calibration modes - manual, automatic, semiautomatic
- Three operating modes – "**Rocks**", "**Forest**", "**Identification**"
- Wireless remote control
- External power supply available
- Sustainable operation at temperatures from -25 °C to +50 °C
- Degree of protection IPX5 / IPX7
- Compact size
- Low weight

⚡ COMPONENTS AND CONTROLS

- 1 Lens cap
- 2 Objective lens
- 3 Lens focus knob
- 4 Eyepiece diopter adjustment ring
- 5 Eyepiece locking ring
- 6 Battery compartment cover
- 7 Bayonet-type ring of attachment's eyepiece
- 8 Attachment's eyepiece
- 9 "ON/OFF" button
- 10 "LEFT" navigation button
- 11 "RIGHT" navigation button
- 12 "MODE" button



	First short press	Next short press	Long press	Menu operation	
				Short press	Long press
"ON/OFF"	Powering the unit on	Unit calibration	Powering the unit off	Unit calibration, confirmation of defective pixel elimination – in corresponding menu option	Powering the unit off
"RIGHT"	Increasing brightness and contrast level*	Increasing brightness and contrast level*	x2 digital zoom (only for monocular)	Menu navigation – upwards and rightwards	
"LEFT"	Decreasing brightness and contrast level	Decreasing brightness and contrast level	Color inversion	Menu navigation – downwards and leftwards	
"MODE"	Activating contrast control mode	Activating brightness control mode	Entering the menu	Confirmation and menu option exit	Confirmation and menu option exit**, main and auxiliary menu exit.

* depending on the mode selected with MODE.

**in some menu options (clock setup).

⚡ MENU / STATUS BAR ICONS:

▲▲	Operating mode "Rocks"
▲	Operating mode "Forest"
👁	Operating mode "Identification"
M	Manual calibration mode
H	Semiautomatic calibration mode
A	Automatic calibration mode
🕒	Clock setup
☀	Brightness setting of menu icons
x2	2x digital zoom
+	Defective pixel repair option
✕	Cross for defective pixel repair
☀🌑	Brightness and contrast setup
🖼	Image inversion modes: "White hot"/"Black hot"
🔄	Return to default defective pixel pattern
🔋	Low battery indicator

⚡ GUIDELINES FOR OPERATION

The unit has been designed for long-term use. To ensure sustainable performance, please adhere to the following:

- Before use make sure that you have mounted and adjusted the unit according to the instructions of the section 8 “Operation”.
- Store with the lens cap on in the carrying case.
- Switch off the unit after use.
- **Attempts to disassemble or repair the unit will void the warranty!**
- The unit is designed for use in various operating temperatures. However, if it has been brought indoors from cold temperatures, do not turn it on for 2 to 3 hours. This will prevent external optical surfaces from condensation.
- To ensure reliable performance, it is recommended to carry out regular technical inspections of the unit.

WARNING! Do not point the objective lens of the unit at intensive sources of light such device emitting laser radiation or the sun. This may render the electronic components inoperative. The warranty does not cover damage caused by improper operation.

⚡ BATTERY INSTALLATION

- Turn the battery compartment knob (6) counterclockwise until stop and remove it.
- Install two CR123A batteries according to the marking on the battery compartment cover and inside it.
- Replace the battery cover and press it until its clicking position - **make sure the cover is closed on both sides.**
- Battery charge level is displayed on the status bar (■).
- In case of complete battery discharge, icon □ is flashing on the status bar.

Open:

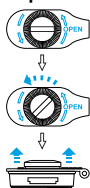


Fig. 2

Warning: do not use rechargeable batteries since their use causes inaccurate battery level indication and possible disconnection during operation.

Note: please do not use batteries of different types or batteries with various charge levels.

⚡ EXTERNAL POWER SUPPLY

The supplied external power adapter allows you to use the following as external power supply:

- power bank (output voltage 5V, USB plug) or
- EPS3I or EPS5 Battery Pack (output voltage 12V; 2.1 mm plug).

How to connect:

- Open and remove the battery compartment cover (see section 7).
- Install the external power adapter into the monocular's battery compartment (see Fig. 3). Make sure that the adapter's latches (C) have snapped on both sides.
- Secure the cover (6) on the adapter (see Fig. 3).
- Connect your power bank to the USB port (5V) or your EPS3I/EPS5 battery Pack to the external power jack (12V).
- Power the unit on with a short press of the “ON/OFF” (9) button.
- To remove the external power adapter, push the latches on both sides and pull it.

Note. When using your own external power supply, central pin of the power supply that you connect to the “power” jack of the unit, must have marking “+”.

The power supply or the plug may have marking $\ominus \oplus$

Warning! When the unit operates on external power supply, the low battery indicator (icon ■) **does not show** the actual battery charge level.

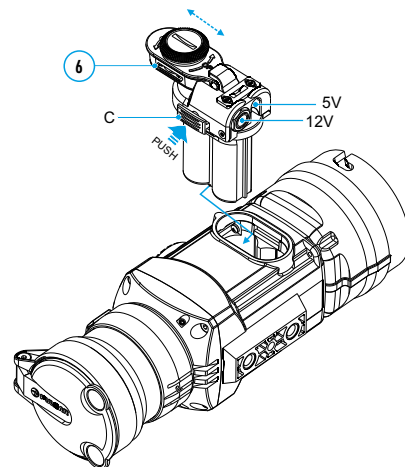


Fig. 3

OPERATION

Unit **CORE** can be used as a monocular or front attachment for day device. Original design allows the monocular to be quickly converted into attachment and vice versa.

8.1. CORE as monocular.

Detailed description of the monocular **CORE** can be found in section 9 "OPERATION. CALIBRATION".

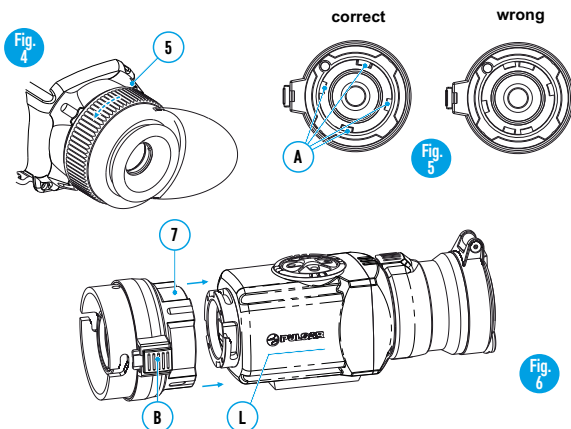
8.2. CORE as front attachment.

CORE as attachment is designed to use a day device both in the nighttime and daytime in inclement weather (fog, smog, rain etc.).

To convert the monocular into attachment and to mount it on a day device, please follow instructions as follows:

Stage 1. Mounting attachment's eyepiece on CORE unit.

- Rotate the eyepiece locking ring (5) counterclockwise until you hear a click and remove the eyepiece (Fig. 4).
- Mount the attachment's eyepiece on the unit as follows:
 - Make sure that the salients (A) of the attachment's eyepiece are located above the lower salients (see Fig. 5).
 - Locate the attachment's eyepiece so that the lock (B) is parallel to the Pulsar logo (L) on unit's body (Fig. 6).
 - Insert the attachment's eyepiece into unit's body until stop and secure it by turning the bayonet-type ring (7) clockwise.



Stage 2. Installing the cover adapter on day device (using metal Cover-adapters DN42/50/56 mm" (SKU#79124/79125/79126)

- Select a cover adapter with an insert (bought separately) of the required diameter depending on the outer diameter of the objective lens of the day device.
- The figures 42 mm, 50 mm, 56 mm in adapter's model name correspond to the optical diameter of the lens of your day device.
- Measure the outer diameter of the housing of the lens of your day device and select an insert based on the data in the table below.

Example. If the lens diameter of your day device is 42mm, and the measured outer diameter of the housing of the lens of your day device is 47.2 mm, you need to use an insert with marking "Ø 47".

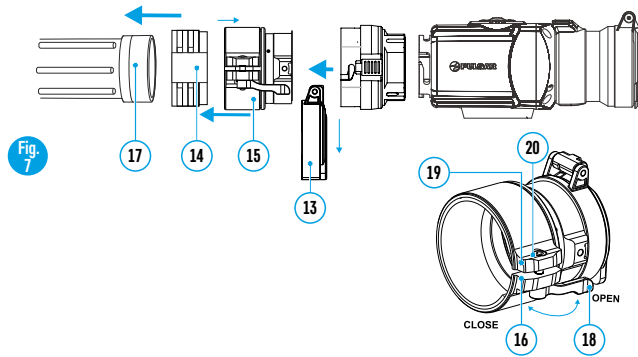
Compatibility chart of inserts for day devices

Lens diameter of day device, mm	Outer diameter of the housing of device's objective lens, mm	Inner diameter of the insert, mm
42	45.5	45.5
	46	46
	46.5	46.5
	46.7-47.6	47
	47.7-48.6	48
	48.7-49.6	49
50	49.7-50.6	50
	51.6	51.6
	53.4	53.4
	54.7-55.6	55
	55.7-56.6	56
	56.7-57.6	57
56	57.7-58.6	58
	58.7-59.6	59
	59.7-60.6	60
	60.7-61.6	61
	61.7-62.6	62
	62.7-63.6	63
	63.7-64.6	64
	64.7-65.6	65

- Remove the cover (13) from the Cover by turning it counterclockwise.
- Install the insert (14) into the adapter (15) all the way in (Fig. 4)

Important! The insert must be installed with the narrowed part facing downward.
- Install firmly the adapter with the insert onto the objective lens (17) of an day device (Fig. 7).
- Snap the lever (18) from the original **OPEN** position to the **CLOSE** position (Fig. 7). Check that the adapter firmly fits the objective lens. If you see there is a clearance, please:
 - Loosen the locking screw (19) with the hex-nut wrench (S=2mm).
- Tighten the screw (20) with hex-nut wrench (S=4mm) with a clamping force necessary to ensure that the adapter fits tightly the objective lens.
- Tighten the locking screw (19).

It is recommended that you degrease the objective lens of your day device and the inner side of the insert before installing the cover adapter.



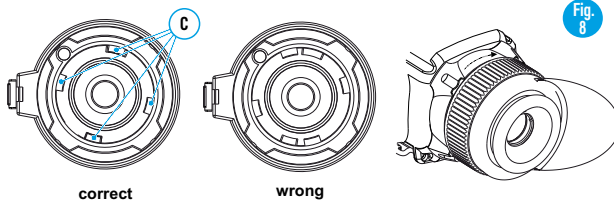
Stage 3. Mounting CORE unit on a day device

- Insert firmly the **CORE** unit with mounted attachment's eyepiece into the cover adapter so that the pins in adapter's body enter grooves of the attachment's eyepiece. Turn the **CORE** unit counterclockwise to hear a click.
- Tighten the screw (20) with the hex-nut wrench, to ensure that when turning the lever, the adapter with insert tightly fits the objective lens of day device.

Mounting eyepiece on CORE unit

- To mount the eyepiece on the unit, make sure that the lower salients (C) of the eyepiece match the lower yellow salients (Fig. 8).
- Insert the eyepiece into the unit's body and turn the locking ring (5) clockwise.

Having turned the unit on, please make sure that the line of horizon of you day device is parallel to the upper and lower edges of the display of the CORE monocular.



⚡ OPERATION. CALIBRATION.

- Power on the unit with “**ON/OFF**” (9) button. In case of low battery icon will start flashing on the status bar.
- Do the image calibration. Calibration levels background temperature of the microbolometer and eliminates image flaws. ee calibration modes are available: manual (M), semiautomatic (H) and automatic (A).

Manual (silent) calibration mode

- Open the lens cap (1).
- Press briefly the “**ON/OFF**” (9) button to power on the unit, hold down the “**MODE**” (12) button for two seconds to enter the menu.
- Use the navigation buttons “**LEFT**” (10) and “**RIGHT**” (11) to select item Cal. Select mode **M**. Press “**MODE**” to confirm.
- Use the navigation buttons “**LEFT**” (10) and “**RIGHT**” (11) to select item Cal. Select mode **M**. Press “**MODE**” to confirm. To exit the menu, press and hold “**MODE**” for two seconds or wait 10 seconds for automatic exit.
- Close the lens cap. Press the “**ON/OFF**” button to calibrate. The image will freeze for 1-2 seconds. Then open the lens cap. Calibration is completed.
- If you see image flaws (such as frozen image, vertical stripes etc.) re-calibrate the unit with the lens cap closed.


Semiautomatic calibration mode


- Power on the unit, open the lens cap.
- Hold down the “**MODE**” (12) button for two seconds to enter the menu.
- Use the navigation buttons “**LEFT**” (10) and “**RIGHT**” (11) to select item Cal. Select mode **H**. Press “**MODE**” to confirm.
- Press the “**ON/OFF**” (9) button to calibrate. The image will freeze for 1-2 seconds and you will hear the sound of the internal shutter. Calibration is completed.

Automatic calibration mode

- In automatic calibration mode the thermal imager calibrates by itself according to the software algorithm. The detector (microbolometer) is closed with the shutter automatically. User assisted calibration with the “**ON/OFF**” button is allowed in this mode.
 - Power on the unit, open the lens cap.
 - Hold down the “**MODE**” button for two seconds to enter the menu.
 - Use the navigation buttons “**LEFT**” (10) and “**RIGHT**” (11) to select item Cal. Select mode **A**. Press **MODE** to confirm.
 - At the moment of the automatic calibration the image will freeze for 1-2 seconds and you will hear the sound of the internal shutter.
- Note:** time intervals between calibrations depend on the heat of the detector. The unit may require calibration more frequently on activation.

Focusing and adjusting the image

- Open the lens cap (1).
- Adjust sharp image of icons on the status bar by turning the eyepiece diopter adjustment ring (4).
- To control display brightness, press briefly navigation buttons - “**LEFT**” (10) (decrease) and “**RIGHT**” (11) (increase). Selected brightness level (from 0 to 20) appears next to icon  in the top right corner of the display.







- To switch to contrast control, press briefly the **“MODE” (12)** button (icon  appears). Press briefly navigation buttons - **“LEFT” (10)** (decrease) and **“RIGHT” (11)** (increase) to select contrast level (from 0 to 20). Corresponding contrast level appears next to icon in the top right corner of the display.
- Point the unit at a warm object located at a certain distance, 100 meters, for example.
- Rotate the lens focus knob **(3)** until you achieve quality image.
- After this adjustment no further dioptre adjustment should be required, regardless of distance or other factors. Adjust image quality only with the lens focus knob.

Other functions

- Press and hold down the **“RIGHT” (11)** button for two seconds to activate 2x digital zoom (available only if the unit is used as a monocular). Icon **x2** appears on the status bar.
- Press and hold down the **“LEFT” (10)** button for two seconds to activate colour inversion (functions “Hot white” and “Hot black”). When function “White hot” is used, warm objects are represented in shades of bright colour; “Black hot” represents objects in shades of dark colour.
- Press and hold down **“ON/OFF” (9)** for two seconds to switch off the unit.

MENU

The menu includes options as follows:

- Operating mode 
- Calibration mode 
- Brightness setting of menu icons 
- Clock setup 
- Remote control activation 
- Defective pixel repair 






Status bar

The status bar shows information as follows:

- Operating modes (**“Rocks”**, **“Forest”**, **“Identification”**)
- Calibration mode (manual, semiautomatic, automatic)
- Digital zoom x2 activated
- Color inversion activated
- Clock setup
- Battery status

Operating modes

The unit features three automatic operating modes: **“Rocks”**  (enhanced contrast), **“Forest”**  (low contrast) and **“Identification”**  (improved detail rendering).


Each mode includes optimal combination of parameters (brightness, contrast, gain etc.) to deliver best possible image in specific viewing conditions.

- Press and hold down the **“MODE” (12)** button for two seconds to enter the menu.
- Press briefly **“MODE”** to confirm your choice.
- Icon of the selected mode is shown on the status bar.


Calibration modes

Please see section 8 **“Operation”** for details.

Brightness setting of menu icons

- Press and hold down the **“MODE” (12)** button for two seconds to enter the menu.
- Press briefly navigation buttons - **“LEFT” (10)** and **“RIGHT” (11)** to select icon .
- Select brightness level (1 to 10) with navigation buttons.
- To exit the main menu, hold down the **“MODE”** button for two seconds or wait 10 seconds to exit automatically.

Clock setup



- Press and hold down the **“MODE” (12)** button for two seconds to enter the menu.
- Press briefly navigation buttons - **“LEFT” (10)** and **“RIGHT” (11)** to select icon . Press **“MODE”**.
- Select time format **“24”** or **“AM/PM”** with navigation buttons.
- Press **“MODE”** to proceed to hour setup. Set with navigation buttons.
- Press **“MODE”** again to proceed to minute setup. Set with navigation buttons.
- To exit the main menu, hold down the **“MODE”** button for two seconds or wait 10 seconds to exit automatically.

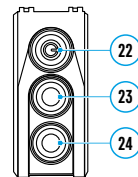
Remote control activation

The wireless remote control duplicates activation of unit, color inversion and image calibration.

It has three buttons:

The remote control has three buttons:



- Button **“ON” (22)** – turning on/off the unit (on – brief press/off – long press (2 sec)).
 - Button **(23)** - color inversion
 - Button **“CAL” (24)** – image calibration
- To start using the wireless remote control you will need to activate it:
- Turn on the scope and select menu option **“RC activation”** (icon ).
 - Press **“MODE” (12)** button, message **“WAIT”** will appear and countdown will start within which you need to press and hold for two seconds any RC button.
 - If the activation is successful, message **“Complete”** will appear next to icon . The RC is ready for use.
 - If the RC does not work, replace the battery. To do this, unscrew the screws on the rear panel of the RC, remove the cover, pull out the old battery and insert a new CR2032 battery.



Defective pixel repair

When operating the thermal imager, there is a possibility of defective (dead) pixels (bright or dark dots with constant brightness) appearing on the detector which are visible on the image.

Thermal unit **CORE** allows you to repair defective pixels on the detector (microbolometer) using a software-based method.

- Press and hold down the “**MODE**” (12) button for two seconds to enter the menu.
- Press briefly navigation buttons - “**LEFT**” (10) and “**RIGHT**” (11) to select icon , press “**MODE**”.
- Select icon  in the pop-up submenu and press “**MODE**”.
- A red cross appears in the centre of display, coordinates (X; Y) $\begin{matrix} \downarrow X=90 \\ \leftarrow Y=50 \end{matrix}$ of the cross relative to the centre of display appear in the place of pop-up icons, icons disappear.
- Use navigation buttons to align the center of the cross with a defective pixel (defective pixel should go out). Switch direction of the cross from horizontal to vertical by a short press of the “**MODE**” button.
- After the centre of the cross is aligned with a defective pixel, press the “**ON/OFF**” (9) button to repair the pixel.
- In case of success a short “**OK**” message appears next to the coordinates. Further on, move the cross to repair another defective pixel. When moving the cross to the coordinates area, the latter goes to the lower right portion of the display.
- To exit menu option “**Defective pixel repair**”, press and hold button “**MODE**” for two seconds.

Return to default defective pixel pattern

- If you wish to return to the default defective pixel pattern (i.e. restore all defective pixels previously repaired), select icon in the pop-up submenu and press the “**MODE**” button.
- Options “**Yes**” and “**No**” appear on the right of the “**MODE**” button.
- Use navigation buttons to select “**Yes**” and press the “**MODE**” button.
- If you choose not to return to default pixel pattern, select “**No**” and press “**MODE**” button.
- To exit the main menu, press and hold down the “**MODE**” button for two seconds or wait 10 seconds to exit automatically.

Attention! One or two pixels in the form of bright white or black 1-2 pixels dots are allowed on the display of thermal imager. These pixels cannot be repaired and are not a defect.

MAINTENANCE AND STORAGE


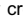
- The unit in monocular mode features degree of protection IPX7 (fully waterproof, submersible at 1 meter for 30 minutes); in attachment mode IPX5 - protection against water jets.
- **Attempts to disassemble or repair the scope will void the warranty!**
- Clean the scope's optical surfaces only if necessary, and use caution. First, remove (by blowing with a blower brush or canned air) any dust or sand particles. Then proceed to clean by using camera/lens cleaning equipment approved for use with multicoated lenses. Do not pour the solution directly onto the lens!
- Always store the unit in its carrying case in a dry, well-ventilated space. For prolonged storage, remove the batteries.
- Batteries shall not be exposed to excessive heat such as sunshine, fire or the like.

TROUBLESHOOTING

Listed below are some potential problems that may occur when using the scope. Carry out the recommended checks and troubleshooting steps in the order listed. Please note that the table does not list all of the possible problems. If the problem experienced with the scope is not listed, or if the suggested action meant to correct it does not resolve the problem, please contact the manufacturer.

Problem	Possible cause	Corrective action
The unit will not turn on.	Batteries have been incorrectly installed.	Reinstall the batteries observing polarity.
	Battery cover is not tightly closed.	Close tightly the battery cover.
	Oxidized contact points in the battery compartment or on the battery cover due to “leaky” batteries or contact points becoming exposed to a chemically reactive solution.	Clean the contacts of the battery compartment or the battery cover.
	The batteries are fully exhausted or one or several batteries are faulty.	Install fresh batteries.
The image is blurry, with vertical stripes and uneven background.	Calibration is to be done.	Do the calibration according to section 9 “OPERATION”
The image is too dark.	The lowest brightness level is set.	Adjust display brightness.
Point of impact does not match the aiming point.	Display calibration needs to be done.	Do display calibration as per guidelines below.

Display calibration

- Press **simultaneously** and hold for two seconds buttons “**LEFT**” (10) and “**MODE**” (12) or RC buttons (23) and (24) to enter the auxiliary menu. Press buttons “**LEFT**” (10) or “**RIGHT**” (11) to select menu item  “**Display calibration**”. Press “**MODE**” to confirm.
- Auxiliary cross in a limiting frame  and symbols will appear on the display 1↔.
- **First**, match the auxiliary cross and the centre of sight's reticle.
- To move the frame with the cross horizontally and vertically, press buttons “**LEFT**” or “**RIGHT**” (or RC buttons (22),(24)). Movement takes places upon both short and long press. To switch movement direction from horizontal to vertical, press button “**MODE**” or (23) RC button.
- **Second**, hold “**MODE**” (or (23) RC button) for two seconds. Figure “2” and X, Y coordinates values appear next to the icon $\begin{matrix} z: X=02 \\ Y=06 \end{matrix}$.

⚡ DONNEES TECHNIQUES

SKU	76453BW	76459BW
Modèle	Core FXQ38BW	Core FXQ50BW
Microbolomètre:		
Type	non-refroidi	non-refroidi
Resolution, pixels	384x288	384x288
Taille de pixel, µm	17	17
Taux de rafraîchissement, Hz	50	50
Caractéristiques optiques:		
Grossissement optique, x		
- monoculaire	3,1	4,1
- attache	1	1
Objectif	F38 / 1.2	F50 / 1.2
Zoom numérique, x	2	2
Dégagement oculaire du monoculaire, mm	16	16
Diamètre de la pupille de sortie du monoculaire, mm	5	5
Champ vision horizontal, m@100m	9,8 / 17,2	5,6 / 13,1
Ajustement dioptrique, D	+5/-5	+5/-5
Distance de détection d'un animal de 1,7 m de long, m, environ	1350	1800
Distance de mise-au-point minimale, m	3-5	5-7
Max. grossissement de l'appareil diurne, x	3	5
L'écran:		
Type	AMOLED	
La résolution, pixel	640x480	640x480
Caractéristiques fonctionnelles:		
Alimentation du dispositif	5 - 7,2 V	5 - 7,2 V
Type de piles	2xCR123A	2xCR123A
Alimentation externe, V	5V (USB) / 12V (EPS)	
Temps de fonctionnement continu avec ensemble de piles (t=22°C), h	4	4
Classe de protection, code IP (IEC 60529)	IPX7* / IPX5**	IPX7* / IPX5**
Température d'utilisation, °C	-25 ... +50	-25 ... +50
Dimensions, mm	180x65x60	190x65x60
Poids (sans/avec piles), kg	0,38/0,46	0,4/0,48

* Ne s'applique pas lors du remplacement de l'oculaire pendant la pluie

** Utilisé avec une batterie externe

⚡ CONTENU DE L'EMBALLAGE

- Monoculaire
- Oculaire de l'attache
- Housse
- Dragonne
- Adaptateur d'alimentation externe
- Câble USB
- Télécommande sans fil
- Chiffonnette
- Guide de l'utilisateur
- Carte de garantie

La conception et le logiciel de ce produit peuvent être modifiés en vue du développement. La dernière édition de ce manuel d'utilisation est disponible sur <http://www.pulsar-vision.com>

⚡ DESCRIPTION

Le **CORE** est un appareil à imagerie thermique multifonction qui peut être utilisé soit en monoculaire soit en attache frontale. Le **CORE** en tant qu'attache est destiné à être utilisé sur appareils de jour, à la fois de jour comme de nuit et par mauvais temps (brouillard, mauvaise visibilité, pluie) pour voir au travers des obstacles rendant la détection de cibles difficile (branches, herbes hautes, buissons épais etc.).

Le **CORE** en tant que monoculaire permet à l'utilisateur de observer un objet à une distance plus de 1000 mètres. A la différence des dispositifs de vision nocturne conçus à partir d'un tube avec intensificateur d'image, les caméras thermiques **CORE** ne nécessitent pas de source de lumière externe et ne craignent pas l'exposition à la lumière vive.

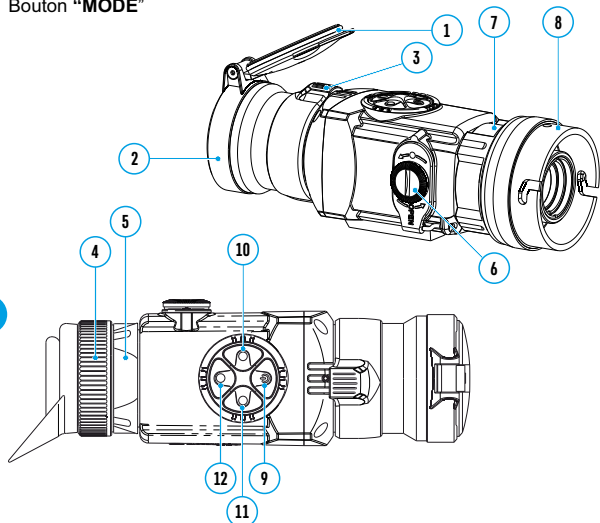
La caméra thermique **CORE** peut être utilisée dans un large champ d'utilisation, pour la chasse nocturne, l'observation et l'orientation, ainsi que pour les opérations de recherche et de sauvetage.

⚡ CARACTERISTIQUES SPECIFIQUES

- Conversion "monoculaire-attache" rapide (2 en 1)
- Montage et démontage rapide de l'attache
- Portée de détection plus de 1 km
- Affichage en monochrome à haut niveau de contraste
- Amélioration de la reconnaissance et de la détection par le logiciel (technologie IRIS) (basé sur un logiciel avec un algorithme intelligent d'égalisation dynamique)
- Zoom numérique 2x du monoculaire
- Trois modes d'étalonnage - manuel, automatique, semi-automatique
- Trois modes d'observation - "Montagne/Rocheux", "Forêt", "Reconnaissance"
- Télécommande sans fil
- Alimentation externe disponible
- Fonctionnement stable à des températures de -25 °C à +50 °C
- Degrés de protection IPX5 / IPX7
- Taille compacte
- Faible poids

COMPOSANTS ET COMMANDES

- 1 Protège-objectif
- 2 Objectif
- 3 Molette de focalisation de l'objectif
- 4 Bague du réglage dioptrique de l'oculaire
- 5 Anneau de verrouillage de l'oculaire
- 6 Couvercle du compartiment à piles
- 7 Bague de verrouillage de type bayonnette
- 8 L'oculaire d'attache
- 9 Bouton "ON/OFF"
- 10 Bouton de navigation "GAUCHE"
- 11 Bouton de navigation "DROIT"
- 12 Bouton "MODE"



	Pression rapide premiere	Pression rapide suivante	Pression longue	Opération du menu	
				Pression rapide	Pression longue
"ON/OFF"	Mise en fonction de l'appareil.	Calibration de l'appareil.	Mise hors fonction de l'appareil.	Calibration de l'appareil, confirmation d'élimination des pixels défectueux – dans une option du menu correspondant.	Mise hors fonction de l'appareil.
"DROIT"	Augmentation du niveau de luminosité et de contraste*	Augmentation du niveau de luminosité et de contraste*	Zoom numérique 2x (seulement pour monoculaire).	Menu navigation - vers le haut et vers la droite.	
"GAUCHE"	Réduction du niveau de luminosité et de contraste*	Réduction du niveau de luminosité et de contraste*	Mode "Inversion Couleur"	Navigation dans le menu - vers le bas et vers la gauche	
"MODE"	Activation du mode de réglage du contraste	Activation du mode de réglage de la luminosité	Entrer dans le menu	Confirmer et quitter une option du menu	Confirmer et quitter une option du menu**, quitter le menu principal et supplémentaire.

* selon mode sélectionné avec MODE **dans certains options du menu (réglage de l'horloge).

PICTOGRAMMES DU MENU / BARRE D'ETAT

▲	Mode d'opération "Montagne/Rocheux"
▲	Mode d'opération "Forêt"
🕒	Mode d'opération "Reconnaissance"
M	Mode d'étalonnage Manuel
H	Mode d'étalonnage Semi-automatique
A	Mode d'étalonnage Automatique
🕒	Régime d'ajustage de l'heure
☀️	Réglage du niveau de luminosité des icônes de menu
x2	Zoom numérique 2x
+	Mode d'élimination des pixels défectueux
✕	Croix pour éliminer des pixels défectueux
☀️/🌑	Réglage du niveau de luminosité et de contraste
🔲	Régimes "White hot / Black hot"
🔄	Retour à la carte d'usine des pixels
🔋	Affichage de charge de batteries

⚡ PARTICULARITES D'EMPLOI

L'appareil est conçu pour une utilisation prolongée. Pour assurer une performance durable, veuillez suivre les recommandations suivantes:

- Avant utilisation, vérifiez que vous avez installé et fixé l'appareil selon les instructions de la section 9 "Focalisation et réglage de l'image".
- Conservez l'appareil avec le protège objectif en place sur l'objectif, lorsque dans l'étui.
- N'oubliez pas d'arrêter l'appareil après utilisation!
- **Il est défendu de réparer et démonter l'appareil, qui rendra caduque la garantie!**
- L'appareil est conçu pour des températures d'utilisation variées et étendues. Néanmoins si l'appareil est apporté du froid dans un local chaud, ne le mettez pas en marche pendant 2-3 heures.
- Afin de garantir une performance fiable, il est recommandé de réaliser des inspections techniques de l'appareil de temps à autre.

AVERTISSEMENT! Ne pointez pas l'objectif de l'appareil sur une source lumineuse intense comme un appareil émettant des rayons lasers ou sur le soleil. Ceci peut rendre les composants électroniques inopérants. La garantie ne couvre pas les dommages causés par une utilisation incorrecte.

⚡ INSTALLATION DES PILES

- Tournez le bouton du compartiment à piles (6) dans le sens antihoraire en butée et le retirez.
- Installez deux piles CR123A selon le marquage sur le couvercle du compartiment à piles.
- En replaçant le couvercle effectuer une pression dessus, jusqu'à un clic de position, le couvercle se refermera.
- **Assurez-vous que le couvercle est fermé sur deux côtés.**

Ouvrir:



Fig. 2

- Le niveau de chargement des piles s'affiche sur la barre d'état (■).
- Si les piles sont complètement déchargées, une icône □ clignotante apparaît sur la barre d'état.

Attention: ne pas utiliser des piles rechargeables, car pendant leur utilisation la charge de la batterie pouvait être affiché incorrectement et une déconnexion accidentelle pendant le fonctionnement est aussi possible.

Note: veuillez ne pas utiliser de piles de différents types ou des piles avec des niveaux différents de charge.

⚡ ALIMENTATION EXTERNE

L'adaptateur d'alimentation externe fourni vous permet d'utiliser les équipements suivants comme source d'alimentation externe:

- Power bank (source d'alimentation) (tension de sortie 5V, prise USB) ou
- Batterie EPS3I / EPS5 (tension de sortie 12V ; prise 2,1 mm).

Comment le connecter:

- Ouvrez et enlevez le couvercle du compartiment à piles (voir section 7).
- Installez l'adaptateur d'alimentation externe dans le compartiment à piles du monoculaire (voir Fig. 3). Assurez-vous que les loquets de l'adaptateur (C) sont encliquetés des deux côtés.
- Fixez le couvercle (6) sur l'adaptateur (voir Fig. 3).
- Connectez votre power bank sur le port USB (5V) ou votre batterie EPS3I/SPE5 à la prise d'alimentation externe (12V). Allumez l'appareil avec une pression courte sur le bouton «ON/OFF» (9).
- Pour retirer l'adaptateur d'alimentation externe, appuyez sur les loquets des deux côtés et tirez-le.

Note. Lorsque vous utilisez votre propre alimentation externe, la broche centrale de l'alimentation que vous connectez à la prise «power» de l'appareil doit avoir un marquage «+». La batterie d'alimentation ou la prise peuvent avoir un marquage - ⊕ + .

Attention! Lorsque l'appareil fonctionne sur alimentation externe, l'indicateur du niveau des piles faibles (icône ■) ne montre pas le niveau de charge réelle de la batterie.

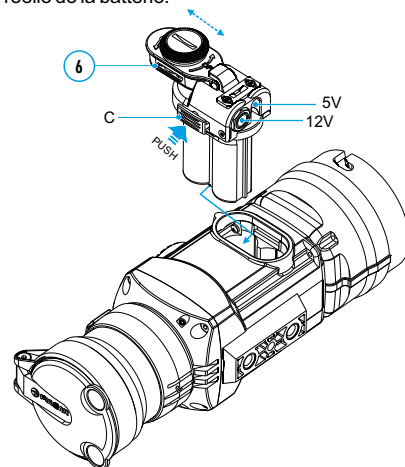


Fig. 3

UTILISATION

Le **CORE** peut être utilisé comme un monoculaire ou attache frontale pour la vision de jour. La conception originale permet au monoculaire d'être rapidement converti en attache et vice-versa.

8.1. CORE comme monoculaire.

Description détaillée du monoculaire **CORE** peut être trouvée dans la section 9 "OPERATION. CALIBRATION".

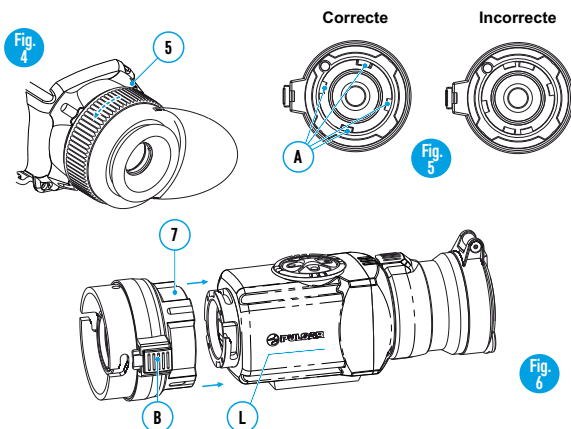
8.2. CORE en attache frontale.

Le **CORE** en attache est conçu pour utiliser un appareil de jour à la fois de nuit et de jour, en cas d'intempéries (brouillard, fumée, pluie, etc.).

Pour convertir le monoculaire en attache et pour le monter sur un appareil de jour, veuillez suivre les instructions suivantes:

Étape 1. Montage de l'oculaire d'attache sur l'habitacle du CORE

- Tournez la bague de verrouillage de l'oculaire (5) dans le sens antihoraire jusqu'à ce que vous entendiez un clic et retirez l'oculaire (Fig. 4).
- Montez l'oculaire d'attache sur l'appareil comme suit:
 - Assurez-vous que les reliefs (A) de l'oculaire d'attache soient situés au-dessus des reliefs inférieurs (Fig.5).
 - Localisez l'oculaire d'attache de sorte que le verrou (B) soit parallèle au logo Pulsar (L) sur le corps de l'appareil (Fig.6).
 - Insérez l'oculaire d'attache dans le corps de l'appareil jusqu'à la butée et fixez-le en tournant la bague de verrouillage (7) de l'adaptateur de type bayonnette dans le sens horaire.



Étape 2. Installation de l'adaptateur pour couvercle sur un appareil de jour (en utilisant les adaptateurs pour couvercle en métal DN42/50/56 mm) (SKU#79124/79125/79126)

- Sélectionnez un adaptateur/clapet de protection avec un insert (acheté séparément) du diamètre requis, selon le diamètre extérieur de l'objectif de votre appareil de jour (voir tableau ci-dessous pour référence).
- Les chiffres de 42 mm, 50 mm ou 56 mm qui figurent dans la désignation de l'adaptateur, correspondent au diamètre de l'objectif de l'appareil de jour.
- Mesurez le diamètre extérieur de l'habitacle de l'objectif de votre appareil de jour et sélectionnez un insert, selon les données du tableau ci-dessous.
- **Exemple:** si le diamètre de l'objectif est égal à 42mm et le diamètre extérieur mesuré de l'objectif est de 47,2mm, il convient d'utiliser un insert portant la marquage de $\varnothing 47$.

Tableau de compatibilité des inserts pour les appareils diurnes

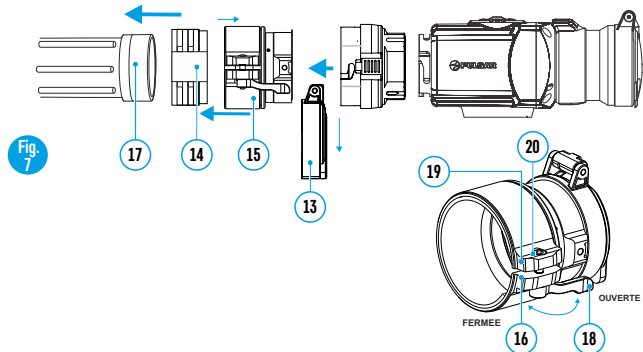
Diamètre de la lentille de l'appareil diurne, mm	Diamètre extérieur du boîtier de l'objectif de l'appareil, mm	Diamètre intérieur de l'insert, mm
42	45,5	45,5
	46	46
	46,5	46,5
	46,7-47,6	47
	47,7-48,6	48
	48,7-49,6	49
	49,7-50,6	50
	50	50
50	51,6	51,6
	53,4	53,4
	54,7-55,6	55
	55,7-56,6	56
	56,7-57,6	57
	57,7-58,6	58
	58,7-59,6	59
	50	50
56	59,7-60,6	60
	60,7-61,6	61
	61,7-62,6	62
	62,7-63,6	63
	63,7-64,6	64
	64,7-65,6	65
	56	56
	56	56

- Retirez le couvercle (13) de l'adaptateur en effectuant une rotation dans le sens anti-horaire.
- Installez l'insert (14) dans l'adaptateur (15) jusqu'au fond (Fig.4).
- **Important! Avant d'insérer l'insert, vérifiez que sa partie plus étroite soit en avant.**
- Installez fermement l'adaptateur avec l'insert sur la lentille de l'objectif (18) d'un appareil de jour (fig.7).
- Enclenchez le levier (19) de la position **OUVERTE** d'origine à la position **FERMEE** (Fig. 7).

Vérifier que l'adaptateur soit installé fermement sur l'objectif. Si vous découvrez qu'il y a un jeu, veuillez:

- Desserrer la vis de verrouillage (19) avec la clé à embout hexagonale (S=2mm).
- Serrer la vis (20) avec une clé à embout hexagonale (S=4mm) avec une force de serrage nécessaire pour assurer que l'adaptateur se joigne bien à la lentille d'objectif.
- Serrer la vis de verrouillage (19).

Attention! Avant la mise en place de l'oculaire d'attache, il est recommandé de dégraisser le corps de l'appareil de jour et le côté interne de l'insert.



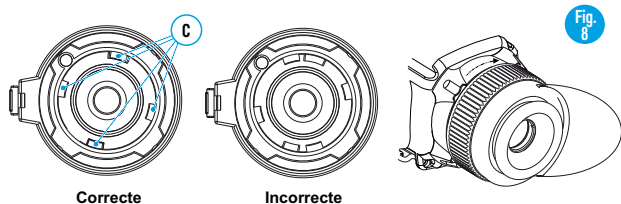
Etape 3. Montage du CORE sur un appareil de jour

- Insérez fermement le **CORE** avec l'oculaire d'attache installé dans l'adaptateur du couvercle, de sorte que les broches dans le corps de l'adaptateur pénètrent dans les rainures de l'oculaire d'attache. Tournez le **CORE** dans le sens antihoraire jusqu'à entendre un clic.
- Serrer la vis (20) avec une clé hexagonale, pour assurer que lorsque vous tournez le levier, l'adaptateur avec insert s'adapte parfaitement à la lentille de l'objectif de appareil de jour.

Montage de l'oculaire sur le CORE

- Pour monter l'oculaire sur l'appareil, assurez-vous que les reliefs inférieurs (C) de l'oculaire correspondent aux reliefs jaunes inférieurs (Fig. 8).
- Insérez l'oculaire dans le corps de l'appareil et tournez la bague de verrouillage (5) dans le sens horaire.

Attention! Assurez-vous que la ligne d'horizon de votre appareil de jour est parallèle aux bords supérieur et inférieur de l'écran du monoculaire CORE.



⚡ MISE EN SERVICE ET ÉTALONNAGE

- Mettez le dispositif en service en appuyant sur le bouton **"ON/OFF"** (9) en cas de décharge des piles, une icône commence à clignoter.
- Effectuez l'étalonnage de l'image. L'étalonnage permet d'égaliser la plage de températures du microbolomètre et d'éliminer les défauts de l'image. Il y a trois modes d'étalonnage: manuel (M), semi-automatique (H), automatique (A).

Mode d'étalonnage manuel (silencieux)

- Ouvrez le couvercle (1) de l'objectif.
- Appuyez brièvement sur le bouton **"ON/OFF"** (9) pour allumer l'appareil, appuyez sur le bouton **"MODE"** (12) et tenez-le appuyé pendant deux secondes pour accéder au menu.
- Utilisez les boutons de navigation **"GAUCHE"** (10) et **"DROITE"** (11) choisissez le terme Cal. Choisissez ensuite le mode **M**. Appuyez sur **"MODE"** pour confirmer votre choix. Pour quitter le menu appuyez sur le bouton **"MODE"** et tenez-le appuyé ou attendez 10 secondes pour la sortie automatique.
- Fermez le couvercle de l'objectif. Pour l'étalonnage appuyez sur le bouton **"ON/OFF"** (9). L'image s'immobilisera pendant 1-2 secondes. Ouvrez ensuite le couvercle de l'objectif. L'étalonnage est donc effectué.
- Dans le cas d'apparition d'artefacts (image figée, bandes verticales etc.) refaites l'étalonnage une seconde fois, avec le couvercle de l'objectif fermé.

Mode d'étalonnage semi-automatique

- Mettez l'appareil en fonction, ouvrez le couvercle de l'objectif.
- Appuyez sur le bouton **"MODE"** (12) et tenez-le appuyé pendant deux secondes pour accéder au menu.
- Utilisez les boutons de navigation **"GAUCHE"** (10) et **"DROITE"** (11) choisissez le terme Cal. Choisissez ensuite le mode **H**. Appuyez sur **"MODE"** pour confirmer votre choix.
- Pour effectuer l'étalonnage, appuyez sur le bouton **"ON/OFF"** (9). L'image s'immobilisera pendant 1-2 secondes et vous étendrez le son de l'obturateur à l'intérieur. L'étalonnage est donc effectué.

Mode d'étalonnage automatique

- En utilisant le mode automatique l'imageur thermique se calibre selon l'algorithme du programme. Le détecteur (microbolomètre) se ferme automatiquement par le rideau intérieur. Dans ce mode il est admissible de calibrer le dispositif par l'utilisateur à l'aide du bouton **"ON/OFF"** (9).
- Mettez l'appareil en fonction, ouvrez le couvercle de l'objectif.
- Appuyez sur le bouton **"MODE"** et tenez le appuyé pendant deux secondes pour accéder au menu.
- Utilisez les boutons de navigation **"GAUCHE"** (10) et **"DROITE"** (11) choisissez le terme Cal. Choisissez ensuite le mode **A**. Appuyez sur **"MODE"** pour confirmer votre choix.
- Lors de l'étalonnage automatique, l'image s'immobilisera pendant 1-2 secondes et vous étendrez le son de l'obturateur à l'intérieur.
- **Note:** les intervalles de temps entre les étalonnages dépendent de la chaleur du détecteur. L'appareil peut avoir besoin d'un étalonnage plus fréquent, par activation.

Focalisation et réglage de l'image

- Ouvrez le protège objectif (1).
- Ajustez la netteté des pictogrammes sur la barre d'état, en tournant la bague de réglage dioptrique de l'oculaire (4).
- Afin de régler la luminosité de l'écran, appuyez brièvement sur les boutons - "GAUCHE" (10) (réduire) ou "DROITE" (11) (augmenter). Le niveau de luminosité (de 0 à 20) s'affiche en haut à droite de l'écran près de l'icône ☀.
- Afin de régler le contraste de l'écran, appuyez brièvement sur le bouton "MODE" (12) (l'icône ● s'affiche). Appuyez brièvement sur les boutons - "GAUCHE" (10) (réduire) and "DROITE" (11) (augmenter) pour sélectionner le niveau de contraste (de 0 à 20). Le niveau de contraste s'affiche en haut à droite de l'écran près de l'icône ●.
- Pointez l'appareil en direction d'un objet chaud situé à une certaine distance, par exemple à 100 m.
- Effectuez une rotation de la molette de focalisation de la lentille (3) jusqu'à obtenir une qualité de qualité.
- Après cet ajustement, plus aucun réglage du dioptr ne devrait être nécessaire, peu importe la distance ou les autres facteurs. Réglez la qualité de l'image seulement avec la molette de focalisation.

Autres fonctions

- Appuyer sur le bouton "DROIT" (11) et tenez le appuyé pendant deux secondes, afin de pouvoir activer le zoom numérique 2x (disponible seulement si l'appareil est utilisé comme un monoculaire).
- Pour activer l'inversion de couleur de l'image (fonctions «White hot» et «Black hot»), appuyez sur le bouton "GAUCHE" (10) et maintenez le appuyé pendant deux secondes. L'utilisation de la fonction «White hot» (blanc chaud) permet d'afficher les objets chauds en couleurs plus claires; «Black hot» (noire chaud) – les objets chauds s'affichent en nuances plus foncées.

Pour éteindre le dispositif, appuyez sur le bouton "ON/OFF" (9) et tenez le appuyé pendant deux secondes.

MENU

Le menu principal comprend les points suivants:

- Mode d'opération Mode
- Mode d'étalonnage Cal
- Réglage de luminosité des icônes au menu ☀
- Réglage de l'horloge ⌚
- Activation de la télécommande 📶
- Élimination des pixels défectueux ➕



Barre d'état

Dans la barre d'état s'affichent les informations suivantes:

- Modes d'opération – "Rochers/Montagne", "Forêt", "Reconnaissance"
- Mode d'étalonnage – manuel, automatique, semi-automatique
- Zoom numérique 2x activé
- Inversion des couleurs de l'image activée
- Réglage de l'horloge
- Niveau des piles

Mode d'opération

Il y a trois modes d'opération automatiques: "Montagne/Rocheux" ▲▲ (contraste amélioré), "Forêt" ▲ (faible contraste) et "Reconnaissance" ☁ (identification des détails améliorée)
Chacun des modes comporte une combinaison optimale de paramètres (brillance, contraste, intensification et d'autres) pour obtenir la meilleure qualité d'image, dans des conditions d'observation spécifiques.

- Appuyez sur le bouton "MODE" (12) et tenez-le appuyé pendant deux secondes pour accéder au menu.
- Appuyez brièvement sur le bouton "MODE" pour confirmer votre choix.
- L'icône du mode sélectionné apparaît dans la barre d'état.

Modes d'étalonnage

Pour en savoir plus, veuillez consulter la section 8 "Utilisation".

Réglage de luminosité des icônes au menu.

- Appuyez sur le bouton "MODE" (12) et tenez-le appuyé pendant deux secondes pour accéder au menu.
- Appuyez brièvement sur les boutons de navigation - "GAUCHE" (10) et "DROIT" (11) pour choisir l'icône ☀.
- Ajustez le niveau de la luminosité (de 1 à 10) avec les boutons de navigation.
- Pour quitter le menu appuyez sur le bouton "MODE" et tenez-le appuyé 2 secondes ou attendez 10 secondes pour sortir automatiquement.

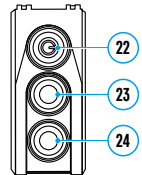
Réglage d'horloge

- Appuyez sur le bouton "MODE" (12) et tenez-le appuyé pendant deux secondes pour accéder au menu.
- Appuyez brièvement sur les boutons de navigation - "GAUCHE" (10) et "DROIT" (11) pour choisir l'icône ⌚. Appuyez sur "MODE".
- Choisissez le format d'affichage de l'heure "24" ou "AM/PM" avec les boutons de navigation.
- Afin de passer au réglage de l'heure, appuyez sur "MODE". Réglez à l'aide des boutons de navigation.
- Afin de passer au réglage des minutes, appuyez sur "MODE". Réglez à l'aide des boutons de navigation.
- Pour quitter le menu appuyez sur le bouton "MODE" et tenez-le appuyé 2 secondes ou attendez 10 secondes pour sortir automatiquement.


Activation de la télécommande à distance

La télécommande à distance sans fil duplique les fonctions de mise en marche de l'appareil, de l'inversion des couleurs de l'image et d'étalonnage de l'image. Elle comporte trois boutons:

- Bouton "ON" (22) – marche/arrêt de l'appareil (on – appuyez brièvement / off – appuyez longuement (2 sec)).






- Bouton "CAL" (23) – inversion des couleurs.
- Bouton "RC" (24) – étalonnage. Pour commencer à utiliser la télécommande à distance, son activation est nécessaire:
- Mettez l'appareil en service et choisissez l'option au menu "Activation de la RC" (l'icône 📶).


- Appuyez sur le bouton **“MODE” (12)**, le message **“Wait”** apparaît, le compte à rebours démarre, au cours duquel il faut appuyer sur n'importe lequel des boutons de la télécommande et le maintenir appuyé pendant deux secondes.
- Si l'activation est réalisée avec succès, le message **“Complete”** apparaît à côté de l'icône . La télécommande est prête pour utilisation.
- En cas d'affichage du message **“Error”** (Erreur), recommencez la procédure.
- Si la télécommande ne fonctionne toujours pas, changez la pile. Pour cela dévissez les vis à l'arrière du boîtier, enlevez le couvercle et sortez l'ancienne pile et insérez une nouvelle CR2032.

Élimination des pixels défectueux

Pendant le fonctionnement de la caméra thermique, l'apparition de pixels (points lumineux ou foncés) défectueux (**“morts”**) apparaissant sur le détecteur est possible, ceux-ci sont visibles à l'image. La caméra thermique **CORE** vous permet d'éliminer les pixels défectueux sur le détecteur (microbolomètre) à l'aide d'un programme.

- Appuyez sur le bouton **“MODE” (12)** et tenez le appuyé pendant deux secondes pour entrer dans le menu.
- Appuyez brièvement sur les boutons de navigation - **“GAUCHE” (10)** et **“DROITE” (11)** choisissez l'icône , appuyez sur **“MODE”**.
- Choisissez le pictogramme  dans le sous-menu et appuyez sur **“MODE”**.
- Une croix rouge apparaît au centre de l'écran, coordonnez les (X;Y)  de la croix par rapport au centre de l'écran, à la place des icônes, les icônes disparaissent de l'écran.
- Utilisez les boutons de navigation pour aligner le centre de la croix avec le pixel défectueux (le pixel défectueux devrait disparaître). Changez de direction la croix d'horizontal à vertical par une pression rapide du bouton **“MODE”**.
- Après que le centre de la croix soit aligné avec le pixel défectueux, appuyez sur le bouton **“ON/OFF” (9)** bouton de réparation de pixel.
- Dans le cas d'élimination réussie un court message **“OK”** apparaît à la place des coordonnées.
- Pour continuer, déplacer la croix pour réparer un autre pixel défectueux. En déplaçant la croix-curseur dans la zone de coordonnées, ce dernier se déplace dans la partie inférieure droite de l'écran.

Retour au précédent pixel défectueux

- Si vous souhaitez faire un retour au précédent pixel défectueux (c'est-à-dire pour restaurer tous les pixels défectueux précédemment réparés), choisissez le pictogramme  dans le sous-menu et appuyez sur le bouton **“MODE”**.
- A droite du pictogramme apparaissent les options **“Yes”** ou **“No”**.
- A l'aide des boutons de navigation choisissez **“Yes”** et appuyez le bouton **“MODE”**.
- Si vous changez d'avis e décidez de ne pas retourner au précédent pixel défectueux, choisissez **“No”** et appuyez sur le bouton **“MODE”**.
- Pour quitter cette option, appuyez et maintenez **“MODE”** pendant deux secondes.

Attention! Un ou deux pixels sous la forme de points blancs ou noirs de 1-2 pixels sont tolérés sur l'écran de l'imageur thermique. Ces pixels ne peuvent être réparés et ne sont pas un défaut.

⚡ ENTRETIEN ET STOCKAGE

- L'appareil présente un degré de protection IPX7 (entièrement waterproof, submersible: profondeur 1 mètre, 30 minutes).
- Il est défendu de réparer et démonter le viseur, sous risque de rendre caduque la garantie!**
- Nettoyez les surfaces des optiques extérieures seulement si nécessaire, et avec précaution. D'abord enlevez avec précaution (souffler ou secouer) la poussière et la boue de la surface optique puis effectuez le nettoyage. Utilisez pour cela un équipement conçu pour le nettoyage des lentilles à multicouche. Ne versez pas de solution directement sur la lentille!
- Conservez toujours l'appareil dans son étui, dans un endroit sec et bien aéré.
- En cas de stockage prolongé, retirez les piles.
- Les piles ne doivent pas être exposées à une chaleur excessive telle que soleil, feu ou sources de chaleur de ce type.

⚡ RESOLUTION DES PROBLEMES

Le tableau présente la liste des problèmes potentiels pouvant apparaître au cours de l'utilisation du viseur. Effectuez les vérifications recommandées et les procédures de dépannage dans l'ordre indiqué. Veuillez noter que le tableau ne répertorie pas tous les problèmes possibles. Si le problème rencontré avec la lunette n'est pas répertorié, ou si l'action proposée visant à corriger le problème, ne le résout pas, veuillez contacter le fabricant.

PROBLÈME	CAUSE PROBABLE	SOLUTION
Le dispositif ne se met pas en marche.	Mauvaise mise en place des Piles. Les points de contacts dans le compartiment à piles et son couvercle sont oxydés à cause de «pile écoulee» ou de points de contact qui deviennent exposés à une solution chimique réactive.	Réinstaller les piles en respectant la polarité. Nettoyer les contacts du compartiment à piles et du couvercle du compartiment.
L'image est non distincte, présente des bandes verticales, fond irrégulier.	L'étalonnage est nécessaire.	Mettez des piles neuves dans le compartiment à piles. Effectuez l'étalonnage de l'image, en se référant à la section 9 "Utilisation".
L'image est trop noire.	Niveau de la luminosité est insuffisant.	Régler la luminosité de l'écran.
Le point d'impact ne coïncide pas avec le point de pointage.	L'étalonnage de l'écran est nécessaire.	Effectuer l'étalonnage de l'écran conformément aux instructions ci-dessous.

L'étalonnage de l'écran

- Appuyez **simultanément** et maintenez pendant deux secondes les boutons **“GAUCHE” (10)** et **“DROITE” (12)** ou les boutons **(23)** et **(24)** de la télécommande pour accéder à menu supplémentaire. Sélectionnez la option \oplus **“L'étalonnage de l'écran”** avec les boutons **“GAUCHE” (10)** ou **“DROITE”(11)**. Appuyez sur **“MODE”** pour confirmer.
- La croix auxiliaire dans le cadre limitaire \boxtimes y les symbols $1\leftrightarrow$ apparaissent sur l'écran.
- D'abord superposez la croix auxiliaire avec le centre du réticule du viseur.
- Pour déplacer le cadre avec la croix auxiliaire horizontalement appuyez les boutons **“GAUCHE”** ou **“DROITE”** (ou **(22),(24)** de la télécommande). Le mouvement se effectue à la fois avec une pression courte et longue. Pour changer la direction du mouvement de horizontale à verticale, appuyez sur **“MODE”**.
- Appuyez et maintenez pendant deux secondes le bouton **“MODE”** (ou **(23)** de la télécommande). Le chiffre **“2”** et les fleches avec les coordonnées X et Y apparaîtront sur l'écran $2 \begin{matrix} X=02 \\ Y=06 \end{matrix}$.
- En maintenant la réticule du viseur au point de pointage, deplacez la croix auxiliaire vers le point d'impact avec les boutons **“GAUCHE”** et **“DROITE”** (ou les boutons **(22);(24)** de la télécommande). Pour changer la direction du mouvement de horizontale à verticale, appuyez sur **“MODE”** ou le bouton **(23)** de la télécommande. Pour déplacer la croix auxiliaire vers le coordonnées X et Y, appuyez sur **“GAUCHE”** ou **“DROITE”** ou **(22),(24)** de la télécommande. *La plage du déplacement horizontale et verticale de la croix auxiliaire par rapport à le cadre limitaire est: +/-10.*
- La croix auxiliaire devrait finalement correspondre le point d'impact, **avec le réticule du viseur maintenu dans le point de pointage.**
- Pour sauvegarder les réglages, maintenez le bouton **“MODE”** ou le bouton **(23)** de la télécommande pendant deux secondes - le message **“OK”** apparaît, et l'image du centre de la cible confondra avec le centre de la croix auxiliaire du viseur.

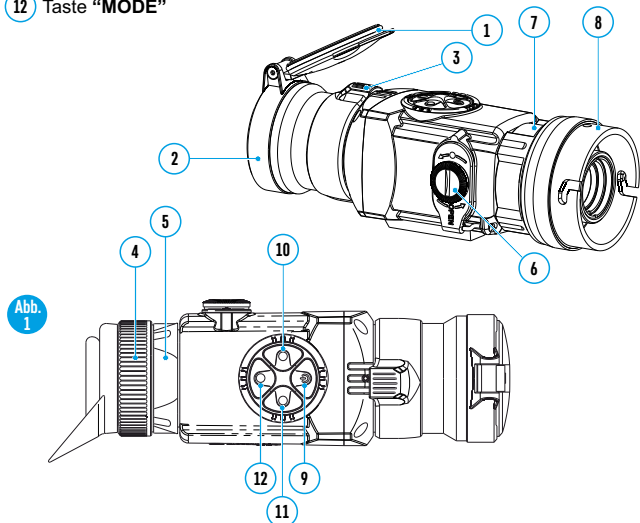
Pour retour aux settings par défaut, sélectionnez **“Yes”** dans la option \oplus **“Reprise des settings par défaut”**. Les paramètres suivantes retournent aux settings par défaut:

- **Mode d'opération** – **“Forêt”**;
- **Brillance de la graphique (menu)** – 5;
- **Grossissement** – x1;
- **Luminosité** – 10;
- **Mode d'étalonnage** – automatique;
- **L'étalonnage de l'écran** – X=0, Y=0;
- **L'inversion de l'image** – débranché;
- **Contraste** – 6.

Note. L'accès au menu supplémentaire (options **“L'étalonnage de l'écran”** et **“Reprise des settings par défaut”**) est seulement possible lors de l'utilisation du dispositif dans le mode d'attache.

⚡ BESTANDTEILE UND STEUERORGANE

- 1 Objektivschutzdeckel
- 2 Objektiv
- 3 Rad der inneren Objektivfokussierung
- 4 Dioptrienring
- 5 Haltering des Okulars
- 6 Batteriebehälter
- 7 Bajonettingring des Okulars des Vorsatzgerätes
- 8 Okular des Vorsatzgerätes
- 9 Taste "ON/OFF"
- 10 Navigationstaste "LEFT"
- 11 Navigationstaste "RIGHT"
- 12 Taste "MODE"



	Erster Kurzdruck	Nächster Kurzdruck	Langdruck	Arbeit mit Menü	
				Kurzdruck	Langdruck
"ON/OFF"	Einschalten des Gerätes	Kalibrierung des Gerätes	Ausschalten des Gerätes	Kalibrierung des Gerätes, Bestätigung des Löschens des defekten Pixels im entsprechenden Untermenü	Ausschalten des Gerätes
"RIGHT"	Steigerung der Helligkeit und des Kontrasts*	Steigerung der Helligkeit und des Kontrasts	Zoom x2 (nur für das Monokular)	Navigation im Menü – nach rechts und nach oben	
"LEFT"	Reduzieren der Helligkeit und des Kontrasts*	Reduzieren der Helligkeit und des Kontrasts*	Abbildungs-inversion	Navigation im Menü – nach links und nach unten	
"MODE"	Aktivierung der Bildkontrasteinstellung	Aktivierung der Bildhelligkeitseinstellung	Menüeintritt	Auswahl bestätigen, das Untermenü verlassen	Auswahl bestätigen*, das Haupt- und Untermenü verlassen

* gewählt mit der Taste MODE ** in einigen Menüs (Uhrzeiteinstellung)

⚡ PIKTOGRAMME DES MENÜS/STATUSZEILE

▲	Betriebsmodus "Felsen"
▲	Betriebsmodus "Wald"
☺	Betriebsmodus "Identifizierung"
M	Manuelle Kalibrierung
H	Halbautomatische Kalibrierung
A	Automatische Kalibrierung
🕒	Uhrzeiteinstellung
☀️	Helligkeitseinstellung der Menüpiktogramme
x2	Digitales Zoom 2x
⊕	Löschen der schadhaften Pixel
✕	Kreuz zum Löschen der schadhaften Pixel
☀️/🌑	Helligkeits- und Kontrasteinstellung
🖼️	Modus der Abbildungsinversion: "White hot"/"Black hot"
🔄	Rückkehr zu Pixelablegen
🔋	Ladezustandsanzeige

⚡ TECHNISCHE DATEN

SKU	76453BW	76459BW
Modell	Core FXQ388W	Core FXQ508W
Microbolometer:		
Type	ungekühlter	ungekühlter
Auflösung, Pixel	384x288	384x288
Pixelgröße, µm	17	17
Bildwechselfrequenz, Hz	50	50
Optische Kenndaten:		
Vergrößerung, fach		
- Monokular	3,1	4,1
- Vorsatzgerät	1	1
Objektiv	F50/1.2	F50/1.2
Digitales Zoom, fach	2	2
Austrittspupillenabstand des Monokulars, mm	16	16
Austrittspupille des Monokulars, mm	5	5
Horizontaler Sehfeldwinkel, Grad / m auf 100m	9,8 / 17,2	5,6 / 13,1
Dioptrienausgleich, Dioptrien	+5/-5	+5/-5
Entdeckungsdistanz von einem Tier 1,7m lang, m	1350	1800
Naheinstellung, m	3-5	5-7
Empfohlene maximale Vergrößerung des Tagesgerätes, mal	3	5
Bildschirm:		
Type	AMOLED	
Effektive Auflösung, Pixel	640x480	640x480
Betriebsparameter:		
Betriebsspannung, V	5 - 7,2 V	5 - 7,2 V
Batterien	2xCR123A	2xCR123A
Externe Stromspeisung	5V (USB) / 12V (EPS)	
Max. Betriebsdauer von einem Batterie-set, Stunde	4	4
Schutzklasse, Code IP (IEC 60529)	IPX7* / IPX5**	IPX7* / IPX5**
Betriebstemperatur, °C	-25 ... +50	-25 ... +50
Abmessungen, mm	180x65x60	190x65x60
Gewicht (ohne/mit Batterien), kg	0,38 / 0,46	0,4 / 0,48

* Wird nicht unterstützt, wenn das Okular bei Regen ausgetauscht werden

** Bei Verwendung einer externen Batterie

⚡ LIEFERUMFANG

- Monokular
- Okular des Vorsatzgerätes
- Aufbewahrungstasche
- Trageriemen
- Externer Stromversorgungadapter
- USB Kabel
- Fernbedienungspult
- Betriebsanleitung
- Putztuch
- Garantieschein

Änderung des Designs und Software zwecks höherer Gebrauchseigenschaften vorbehalten. Aktuelle Version der Betriebsanleitung finden Sie auf der Webseite <http://www.pulsar-vision.com>

⚡ BESCHREIBUNG

CORE ist ein multifunktionales Wärmebildgerät, das entweder als Monokular oder als Vorsatzgerät betrieben werden kann. Als Vorsatzgerät wird das **CORE** auf das Taglichtgerät vorne montiert, um auf das Tageslichtgerät bei Nacht und Tageslicht auch bei Schlechtwetter (Nebel, Dunst, Regen) verwendet zu werden.

Als Monokular ermöglicht das **CORE** ein mehr als 1000 Meter entferntes Objekt zu beobachten. Im Unterschied zu Nachtsichtgeräten mit Restlichtröhren braucht das Wärmebildgerät **CORE** keine Lichtquelle und ist gegen Seitenbelichtung geschützt.

Der Anwendungsbereich des Wärmebildgerätes umfasst Beobachtung und Geländeorientierung unter begrenzten Sichtbedingungen, Jagd, Such- und Rettungsmaßnahmen.

⚡ MERKMALE

- Leicht transformierbar vom Monokular ins Vorsatzgerät
- Schnell montierbar
- Mehr als 1 Kilometer Zielentdeckung
- Kontrastreiches monochromes Display
- Verbesserte Objekterkennung dank der IRIS Technologie (extra entwickelte Software für die Verbesserung der Bildqualität)
- 2-faches digitales Zoom des Monokulars
- Drei Kalibrierungsmodi: manueller, automatischer, halbautomatischer
- Drei Betriebsmodi: **“Felsen”**, **“Wald”**, **“Identifizierung”**
- Drahtlose Fernbedienung
- Speisung von externer Stromversorgung ist verfügbar
- Stabiler Betrieb bei -25...+50 °C
- Schutzklasse IPX5 / IPX7
- Kompakte Form
- Geringes Gewicht

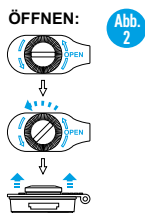
⚡ BESONDERHEITEN DES BETRIEBS

Das Gerät ist für eine dauerhafte Anwendung bestimmt. Um die volle Leistungsfähigkeit des Gerätes zu gewährleisten, soll man sich an folgende Empfehlungen halten:

- Vor dem Betrieb vergewissern Sie sich, dass das Gerät laut Betriebsanweisungen aus dem Kapitel 8 „**Betrieb**“ befestigt und eingestellt wurde.
- Lagern Sie das Gerät mit dem geschlossenen Lichtschutzdeckel in der Aufbewahrungstasche.
- Schalten Sie das Gerät nach der Anwendung aus!
- **Es ist verboten das Garantiegerät zu reparieren und zu demontieren!** Das Gerät kann im breiten Temperaturbereich verwendet werden.
- Aber wenn das Gerät von der Kälte in einen warmen Raum gebracht wurde, nehmen Sie es aus der Aufbewahrungstasche nicht heraus, schalten Sie es im Laufe von 2-3 Stunden nicht ein. Das ermöglicht die Kondensatbildung auf den optischen Außenelementen zu vermeiden.
- Für ein langes korrektes Funktionieren, Vorbeugung und Beseitigung der vorzeitigen Störungen und Verschleiß von Bauelementen und – einheiten führen Sie technische Wartung rechtzeitig durch.
- **ACHTUNG! Richten Sie das Objektiv des Gerätes niemals direkt auf die intensiven Lichtquellen, solche wie die Sonne, da die elektronischen Komponenten beschädigt werden können. Im Rahmen der Garantie wird für die Schäden nicht gehaftet, die durch falsche Anwendung verursacht wurden.**

⚡ EINLEGEN DER BATTERIEN

- Drehen Sie den Griff des Deckels des Batteriefachs (6) gegen den Uhrzeigersinn gegen den Anschlag. Den Deckel abnehmen.
- Legen Sie zwei Batterien CR123A der Markierung auf dem Deckel des Batteriefachs und innerhalb des Batteriefachs gemäß ein.
- Setzen Sie den Deckel des Batteriefachs zurück ein, drücken Sie den Deckel bis er einrastet - der Deckel schließt. **Vergewissern Sie sich, dass der Deckel beidseitig geschlossen wurde.**



- Batterieaufladungszustand wird unten in der Statuszeile () abgebildet. Bei völliger Batterieentladung blinkt das Piktogramm in der Statuszeile.

Achtung: verwenden Sie keine wieder aufladbaren Batterien – die Ladezustandsanzeige funktioniert nicht korrekt, das Gerät kann sich unerwartet abschalten.

Benutzen Sie nur gleichartige Speiseelemente mit dem gleichen Aufladeniveau.

⚡ EXTERNE STROMSPEISUNG

Adapter für externe Stromversorgung (mitgeliefert) lässt Folgendes als externe Stromspeisung benutzen:

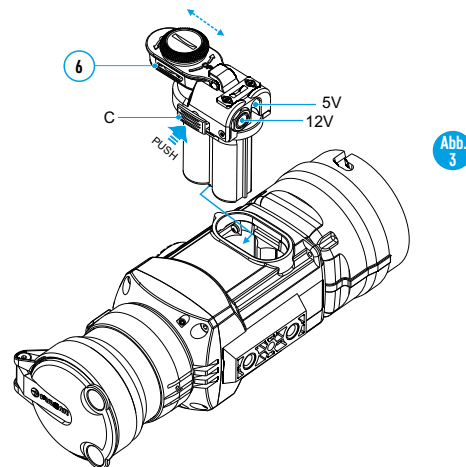
- Power bank (Ausgangsspannung 5V, USB-Stecker) oder
- EPS3I/ EPS5 Battery Pack (Ausgangsspannung 12V; Stecker 2,1 mm).

Anschlussverfahren:

- Öffnen und nehmen Sie den Deckel des Batteriebehälters (**s. Kapitel 7**) ab.
- Stecken Sie den Adapter in den Batteriebehälter des Monokulars (**s. Abb. 3**) ein. Vergewissern Sie sich, dass die Klinken (**C**) des Adapters beidseitig geschlossen wurden.
- Befestigen Sie den Deckel (6) auf dem Adapter (**s. Abb. 3**).
- Schliessen Sie Ihr Power bank an den USB-Port (5V) oder den Battery Pack EPS3I/ EPS5 an den Anschluss externer Stromspeisung (12V).
- Schalten Sie das Gerät ein, indem Sie die Taste **“ON/OFF” (9)** kurz drücken.
- Um den Stromversorgungsadapter zu entfernen, drücken Sie die Klinken von beiden Seiten und ziehen Sie ihn heraus.

Anmerkung. Wenn Sie Ihre eigene Stromquelle benutzen, muss der zentrale Kontakt im ans Gerät anzuschließenden Anschlussstecker “+” sein. Mögliche Markierung am Stecker oder an der Stromquelle ist $- \ominus +$

Achtung! Beim Betrieb von externer Stromquelle zeigt die Anzeige des Batterieladestands (Piktogramm) den aktuellen Batteriestand nicht.



BETRIEB

Das Wärmebildgerät kann als Monokular und auch als betrieben werden. Die Neukonstruktion ermöglicht das Monokular in das Vorsatzgerät schnell umzubauen.

8.1. CORE als Monokular.

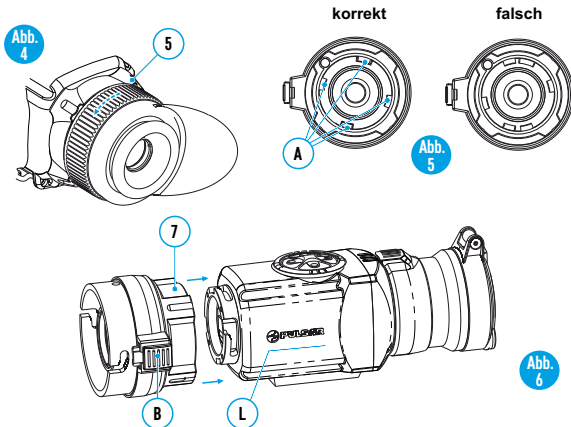
Die ausführliche Beschreibung des Core Monokulars befindet sich im Kapitel 9 "EINSTELLUNG DES GERÄTES. KALIBRIERUNG".

8.2. CORE als Vorsatzgerät.

CORE als Vorsatzgerät ermöglicht den Betrieb des Tageslichtgerätes sowohl am Tag, als auch in der Nacht, auch unter Schlechtwetterbedingungen (Nebel, Dunst, Regen). Für den Umbau des Monokulars in das Vorsatzgerät ist es folgende Vorschriften zu erfüllen:

Schritt 1. Montage des Okulares des Vorsatzgerätes auf das Wärmebildgerät CORE.

- Drehen Sie den Haltering des Okulars (5) gegen Uhrzeigersinn bis ein Klicken ertönt, nehmen Sie das Okular ab (Abb. 4).
- Bringen Sie das Okular des Vorsatzgerätes an das Gerät auf folgende Weise an:
Vergewissern Sie sich, dass sich die Vorsprünge (A) über den unteren Vorsprüngen befinden (Abb. 5).
- Bringen Sie das Okular des Vorsatzgerätes so unter, dass die Klinke (B) dem Logo Pulsar (L) auf dem Gehäuse des Gerätes parallel liegt (Abb. 6)
- Setzen das Okular des Vorsatzgerätes ins Gehäuse bis zum Anschlag ein, fixieren Sie ihn durch das Drehen des Bajonettring (7) im Uhrzeigersinn.



Schritt 2. Montage des Deckel-Adapters auf das Taglichtgerät (mithilfe der "Adapter-Deckel DN42/50/56 mm" (SKU#79124/79125/79126)).

- Dem Objektivlinsendurchmesser Ihres Tageslichtgerätes entsprechend nehmen Sie den Adapter mit Übergangsringen (zusätzlich gekauft) mit dem passenden Durchmesser.
- Die Zeichen 42 mm, 50 mm, 56 mm im Adapternamen bezeichnen die Größe des Objektivlinsendurchmessers des Tageslichtgerätes.
- Messen Sie den Außendurchmesser des Objektivs Ihres Fernrohrs und wählen Sie den passenden Übergangsring laut der Tabelle.
Beispiel. Wenn der Objektivlinsendurchmesser Ihres Tageslichtgerätes 42 mm beträgt und der ausgemessene Außendurchmesser des Objektivs 47,2 mm ist, benutzen Sie den Übergangsring mit der Markierung "Ø 47".

Kompatibilität der Übergangsringe mit Tageslichtzielfernrohren

Kompatibilität der Übergangsringen für die Tageslichtgeräte

Objektivlinsen- durchmesser, mm	Aufsteckdurchmesser des optischen Geräts, mm	Innendurchmesser der Übergangsring, mm
42	45,5	45,5
	46	46
	46,5	46,5
	46,7-47,6	47
	47,7-48,6	48
	48,7-49,6	49
	49,7-50,6	50
	50	51,6
50	53,4	53,4
	54,7-55,6	55
	55,7-56,6	56
	56,7-57,6	57
	57,7-58,6	58
	58,7-59,6	59
	56	59,7-60,6
56	60,7-61,6	61
	61,7-62,6	62
	62,7-63,6	63
	63,7-64,6	64
	64,7-65,6	65

- Den Deckel (13) entgegen dem Uhrzeigersinn drehend abnehmen.
- Setzen Sie den Übergangsring (14) in den Adapter (15) bis zum Anschlag ein (s. Abb. 4)
Der Übergangsring soll mit dem geengten Teil nach vorne eingelegt werden!
- Bringen Sie den Adapter mit dem eingesetzten Übergangsring an das Objektiv (17) des Tageslichtgerätes an (Abb. 7).
Achtung! Vergewissern Sie sich, dass die Linie des Horizonts des Tageslichtgerätes parallel zum unteren/oberen Rand des Bildschirms des Monokulars CORE liegt.
- Bringen Sie den Hebel (18) von der Position "AUF" in die Position „ZU“ (Abb. 7).
- Vergewissern Sie sich, dass der Adapter an das Objektiv eng anliegt. Falls die Luft bleibt, sollen Sie folgende Anweisungen befolgen:

- Lockern Sie die Halteschraube (19) mithilfe des Sechskantenschlüssels (S= 2 mm).
- Ziehen Sie die Schraube (20) mit dem Sechskantenschlüssel (S= 4mm) an, mit einer Klemmkraft, die den Adapter fest auf dem Objektiv sitzen lässt.
- Ziehen Sie die Halteschraube an (19).

Achtung! Vor der Montage soll das Gehäuse des Objektivs des Taglichtgerätes und die innere Seite des Übergangsrings entfettet werden.

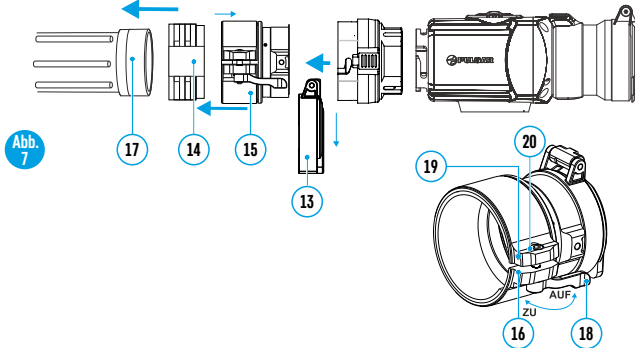


Abb. 7

Schritt 3. Montage des Wärmebildgerätes CORE auf das Taglichtgerät

- Setzen Sie das **CORE** mit dem eingelegten Übergangsring in den Adapter-Deckel so ein, dass die Stifte im Gehäuse des Adapter-Deckels in die Rasten des Okulars des Vorsatzgerätes einspringen. Drehen Sie das Wärmebildgerät **CORE** entgegen dem Uhrzeigersinn bis ein Knacken ertönt.
- Mithilfe des Sechskantenschlüssels ziehen Sie die Schraube (20) an, damit der Adapter mit dem Übergangsring beim Anziehen eng an das Objektiv des Taglichtgerätes anliegt.

Montage des Okulars auf das Wärmebildgerät CORE

- Vor der Montage des Okulars vergewissern Sie sich, dass die oberen Vorsprünge (C) mit den unteren gelben Vorsprüngen zusammenfallen. (Abb.8).
- Setzen Sie das Okular ins Gehäuse des Gerätes, drehen Sie den Haltering (5) des Okulars im Uhrzeigersinn.

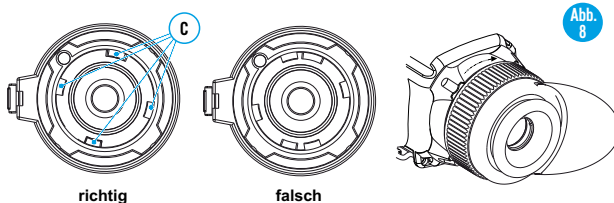
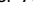


Abb. 8

⚡ EINSTELLUNG DES GERÄTES. KALIBRIERUNG.

Schalten Sie das Gerät ein, indem Sie die Taste "ON/OFF" (9) drücken. Wenn die Batterie entladen ist, leuchtet der Anzeiger rot und das Piktogramm  beginnt zu blinken.

- Kalibrieren Sie das Bild. Das ermöglicht den Wärmegrad des Mikrobolometers auszugleichen und Fehler der Abbildung zu beheben.
- Das Gerät bietet drei Kalibrierungsmodi an: Manuellen (M), halbautomatischen (H) und automatischen (A).

Manuelle (geräuschlose) Kalibrierung

- Öffnen Sie den Objektivschutzdeckel (1).
- Schalten Sie das Gerät ein, indem Sie die Taste "ON/OFF" (9) kurz drücken. Halten Sie die Taste "MODE" (12) zwei Sekunden lang gedrückt, um ins Menü zu übergehen.
- Wählen Sie den Menüpunkt Cal, indem Sie die Tasten der Menüführung "LEFT" (10) und "RIGHT" (11) anwenden. Wählen Sie den Modus "M". Um die Auswahl zu bestätigen, drücken Sie die Taste "MODE". Um das Menü zu verlassen, halten Sie die Taste zwei Sekunden lang gedrückt, oder warten Sie 10 Sekunden ab - das Menü wird automatisch deaktiviert.
- Schließen den Objektivschutzdeckel (1). Um den Sensor zu kalibrieren, drücken Sie die Taste "ON/OFF". Das Bild erstarrt für eine oder zwei Sekunden. Danach ist der Objektivschutzdeckel zu öffnen. Das Kalibrieren verlief erfolgreich.
- Falls auf dem Display Fehler auftreten (erstarrtes Bild, senkrechte Linien u.ä.), soll die Kalibrierung wiederholt werden.

Halbautomatische Kalibrierung

- Schalten Sie das Gerät ein, öffnen Sie den Objektivschutzdeckel.
- Halten Sie die Taste "MODE" (12) zwei Sekunden lang gedrückt, um das Menü zu aktivieren.
- Wählen Sie den Menüpunkt Cal, indem Sie die Tasten der Menüführung "LEFT" (10) und "RIGHT" (11) anwenden.
- Wählen Sie den Modus "H". Um die Auswahl zu bestätigen, drücken Sie die Taste "MODE".
- Um den Sensor zu kalibrieren, drücken Sie die Taste "ON/OFF". Das Bild erstarrt für eine oder zwei Sekunden, dabei wird die innere Blende ein Geräusch angeben. Das Gerät wurde erfolgreich kalibriert.

Automatische Kalibrierung

- Im automatischen Regime wird das Wärmebildgerät dem Programmalgorithmus nach kalibriert. Der Sensor wird automatisch mit der Blende geschlossen. In diesem Betriebsmodus ist manuelle Kalibrierung mittels "ON/OFF" (12) Taste möglich.
- Schalten Sie das Gerät ein, öffnen Sie den Objektivschutzdeckel.
- Drücken Sie die Taste "MODE" zwei Sekunden lang, um das Menü zu aktivieren.
- Wählen Sie den Menüpunkt Cal, indem Sie die Tasten der Menüführung "LEFT" (10) und "RIGHT" (11) anwenden.
- Wählen Sie den Modus "A". Um die Auswahl zu bestätigen, drücken Sie die Taste "MODE".
- Bei der automatischen Kalibrierung erstarrt das Bild für eine oder zwei Sekunden. Es ertönt ein Geräusch durch das Funktionieren der inneren Blende.

Anmerkung: das Kalibrierungsintervall hängt vom Heizniveau des Sensors ab. Beim Einschalten des Gerätes kann das Wärmebildgerät öfter kalibriert zu werden brauchen.

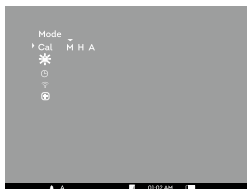
Fokussierung und Einstellung des Bildes

- Öffnen Sie den Objektivschutzdeckel (1).
- Dioptrienring (4) drehend, erreichen Sie eine scharfe Abbildung der Piktogramme in der Statuszeile.
- Um das Helligkeitsniveau des Bildschirms zu optimieren, drücken Sie die Tasten der Menüführung **“LEFT” (10)** (Herabsetzung) und **“RIGHT” (11)** (Steigerung). Die entsprechende Kontraststufe (von 0 bis 20) wird neben dem Helligkeitsanzeiger im oberen Teil des Bildschirms gezeigt.
- Um das kontrastreiche Bild auf dem Bildschirm zu erreichen, drücken Sie kurz die Taste **“MODE” (12)** (es erscheint ein Piktogramm ●). Drücken Sie die Tasten der Menüführung **“LEFT” (10)** (Herabsetzung) und **“RIGHT” (11)** (Steigerung). Die entsprechende Kontraststufe (von 0 bis 20) wird neben dem Kontrastanzeiger ● im oberen Teil des Bildschirms gezeigt.
- Wählen Sie ein unbewegliches warmes Beobachtungsobjekt, das 100 Meter entfernt ist.
- Das Fokussierungsrad (3) drehend, erreichen Sie ein möglichst scharfes Bild. Nachdem alle Einstellungen durchgeführt wurden, brauchen Sie das Dioptrienausgleichsrad nicht mehr zu drehen, unabhängig von Distanz und anderen Bedingungen.

MENÜ

Das Menü besteht aus folgenden Punkten:

- Betriebsmodus **“Mode”** Mode
- Kalibrierungsmodi Cal
- Helligkeitseinstellung der Menüpiktogramme ☼
- Uhrzeiteinstellung ⌚
- Aktivierung der Fernbedienung 📶
- Löschen der schadhafte Pixel ✖



Statuszeile

In der Statuszeile wird folgende Information abgebildet:

- Betriebsmodus (**“Felsen”**, **“Wald”**, **“Identifizierung”**)
- Kalibrierungsmodus (manueller, automatischer, halbautomatischer)
- Helligkeitseinstellung der Menüpiktogramme
- Zweifache Vergrößerung eingeschaltet (**“Zoom”**)
- **“Abbildungsinversion”** aktiviert
- Gleitzeit
- Batteriestand

Betriebsmodus

Das Wärmebildgerät bietet drei automatische Betriebsmodi an:

“Felsen”▲ (hohes Kontrastniveau), **“Wald”**▲ (niedriges Kontrastniveau) und **“Identifizierung”**☉ (erhöhte Detaillierung).

Jedes Regime hat optimales Verhältnis der Betriebsparameter (Helligkeit, Kontrast, Intensität usw.), was die beste an die Beobachtungsbedingungen angepasste Bildqualität garantiert.

- Drücken Sie die Taste **“MODE” (12)** zwei Sekunden lang, um das Menü zu aktivieren,
- Wählen Sie den Punkt **“Betriebsmodi”** mit den Tasten der Menüführung **“LEFT” (10)** und **“RIGHT” (11)**.
- Drücken Sie kurz die Taste **“MODE”**, um die Auswahl zu bestätigen.
- Das Piktogramm des gewählten Modus wird in der Statuszeile abgebildet.

Kalibrierungsmodi

S. Kapitel 8 **“Betrieb”**.

Helligkeitseinstellung der Menüpiktogramme

- Halten Sie die Taste **“MODE” (12)** zwei Sekunden lang gedrückt, um das Menü zu aktivieren.
- Wählen Sie das Piktogramm ☼ mit den Tasten der Menüführung **“LEFT” (10)** und **“RIGHT” (11)**. Drücken Sie die Taste **“MODE”**.
- Drücken Sie die Tasten der Menüführung, um das Helligkeitsniveau der Piktogramme einzustellen (von 1 bis 10).
- Um das Menü zu verlassen, halten Sie die Taste **“MODE”** zwei Sekunden lang gedrückt, oder es ist 10 Sekunden abzuwarten, es erfolgt der Ausgang aus dem Menü automatisch.

Uhrzeiteinstellung

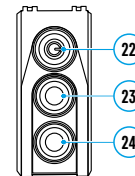
- Drücken Sie die Taste **“MODE” (12)** zwei Sekunden lang, um das Menü zu aktivieren.
- Wählen Sie das Piktogramm ⌚ mit den Tasten der Menüführung (10) und (11). Drücken Sie die Taste **“MODE”**.
- Bewegen Sie den Blinker mit den Tasten der Menüführung, um das Uhrzeitformat zwischen **“24”** und **“AM/PM”** zu wählen.
- Drücken Sie die Taste **“MODE”**, um den Stundenwert einzugeben. Benutzen Sie dafür die Tasten der Menüführung. Drücken Sie die Taste **“MODE”**, um den Minutenwert einzugeben. Benutzen Sie dafür die Tasten der Menüführung.
- Um das Menü zu verlassen, halten Sie die Taste **“MODE”** zwei Sekunden lang gedrückt, oder es ist 10 Sekunden abzuwarten, so erfolgt der Ausgang aus dem Menü automatisch.

Aktivierung der Fernbedienung

Drahtloses Fernbedienungspult wiederholt die Einschaltfunktion des Gerätes, Bildinversion, und Kalibrierung.

Auf dem Fernbedienungspult gibt es drei Tasten:




- Taste **“ON” (22)** – das Gerät ein-/ ausschalten (einschalten – Kurzdruck/ ausschalten – Dauerdrücken (2 Sekunden)).
 - Taste (23) - Farbinversion des Bildes
 - Taste **“CAL” (24)** – Kalibrierung.
- Vor dem Gebrauch des Fernbedienungspultes aktivieren Sie es auf folgende Weise:
- Wählen Sie den Menüpunkt **„Aktivieren des Fernbedienungspultes“** (Piktogramm 📶)
 - Drücken Sie die Taste **“MODE” (12)**, es erscheint die Mitteilung **“Wait”** (warten) und der Countdown fängt an, so soll im Laufe von dieser Zeit eine von den Tasten des Fernbedienungspultes zwei Sekunden gedrückt gehalten werden.
 - Die Mitteilung **“Complete”** erscheint neben dem Piktogramm 📶 wenn die Aktivierung erfolgreich gelaufen ist.




- Wenn das Fernbedienungspult nicht funktioniert, setzen Sie eine neue Batterie ein. Dafür schrauben Sie die Schrauben von der Rückwandplatte des Fernbedienungspultes ab, nehmen Sie die abnehmbare Rückwand ab, nehmen Sie die entladene Batterie heraus und legen Sie eine neue Batterie CR2032 hinein.

Löschen der schadhafte Pixel

Während des Betriebs können auf dem Sensor des Wärmebildgerätes schadhafte Pixel (das Bild störende, stabil leuchtende helle oder dunkle Punkte) erscheinen. Dabei ist es möglich, in den **CORE** Geräten die schadhafte Pixel durch extra Programm zu löschen.


- Drücken Sie die Taste **“MODE” (12)** zwei Sekunden lang, um das Menü zu aktivieren.
- Wählen Sie das Piktogramm  mit den Tasten der Menüführung **(10)** und **“RIGHT” (11)**. Drücken Sie die Taste **“MODE”**.
- Im Untermenü wählen Sie das Piktogramm . Drücken Sie die Taste **“MODE”**.
- Im Zentrum des Bildschirms erscheint ein Kreuz  , wo die Bildsymbole auftauchen, erscheinen relativ dem Kreuz des Displayzentrums Koordinaten (X;Y) $\begin{matrix} X \\ Y \end{matrix} \begin{matrix} 90 \\ 50 \end{matrix}$, die Piktogramme des Menüs verschwinden.
- Das Kreuz soll mit den Tasten der Menüführung so bewegt werden, dass das Zentrum des Kreuzes mit dem schadhafte Pixel verschmilzt (bei der richtigen Verschmelzung der schadhafte Pixel erlischt). Ein kurzes Drücken der Taste **“MODE”** ermöglicht das Umschalten der Bewegungsrichtungen des Kreuzes von der senkrechten auf die waagerechte.
- Nachdem das Kreuzzentrum den schadhafte Pixel abgedeckt hat, wird der gewählte Pixel durch das kurze Drücken der Taste **“ON/OFF” (9)** gelöscht.
- Wenn das Löschen erfolgreich gelaufen ist, erscheint an der Stelle, wo Koordinaten waren, eine **“OK”** Mitteilung.
- Das Kreuz bewegend, kann man auch weitere schadhafte Pixel löschen.
- Falls das Kreuz an die Stelle gebracht wird, wo die Koordinaten auf dem Bildschirm abgebildet werden, werden die Koordinaten in den rechten unteren Teil des Displays verschoben.
- Um den Menüpunkt **„Löschen der Schadenpixel“** zu verlassen, halten Sie die Taste **“MODE”** zwei Sekunden lang gedrückt.

Rückstellung zu „Pixelablegen“

- Um **„Pixelablegen“** zurückzubekommen (alle gelöschten schadhafte Pixel in Ausgangszustand zu bringen), ist es das im Untermenü aufgetauchte Piktogramm  zu wählen und die Taste **“MODE” (12)** drücken.
- Rechts vom Piktogramm erscheinen Punkte **“Yes”** und **“No”**.
- Wählen Sie **“Yes”** mit den Tasten der Menüführung und drücken Sie die Taste **“MODE”**.
- Falls Sie **„Pixelablegen“** doch nicht brauchen, wählen Sie **“No”**, drücken Sie die Taste **“MODE”**.
- Um das Menü zu verlassen, halten Sie die Taste zwei Sekunden lang gedrückt, oder es ist 10 Sekunden abzuwarten, so erfolgt der Ausgang aus dem Menü automatisch.

Anmerkung! Auf dem Bildschirm des Wärmebildgerätes sind einer oder zwei Pixel als weiße oder schwarze Punkte zulässig. Diese können nicht entfernt werden, dabei stellen Sie kein Defekt dar.

Andere Funktionen

- Um das 2-fache digitale Zoom zu aktivieren (nur bei der Handanwendung), drücken Sie die Taste **“RIGHT” (11)** zwei Sekunden lang. In der Statuszeile erscheint das Piktogramm .
- Um die Farbinversion des Bildes (Funktionen **“White hot”** und **“Black hot”**) zu aktivieren, halten Sie die Taste **“LEFT” (10)** zwei Sekunden lang gedrückt. Falls die Funktion **“White hot”** („Weiß heiß“) ein ist, werden warme Objekte in helleren Farbtönen dargestellt; im Modus **“Black hot”** (Schwarz heiß) werden warme Objekte in dunkleren Farbschattierungen gezeigt.
- Um das Gerät auszuschalten, halten Sie die Taste **“ON/OFF” (9)** zwei Sekunden lang gedrückt.

⚡ WARTUNG UND LAGERUNG

- Das Gerät hat Schutzklasse IPX7 als Monokular (absolut wasserdicht – Schutz gegen Eindringen von Wasser beim kompletten eintauchen für begrenzte Zeit (1 Meter tief für 30 Minuten); IPX5 als Vorderansatz - Schutz gegen Strahlwasser aus allen Richtungen).
- **Es ist verboten das Gerät zu reparieren und zu demontieren!** Reinigen Sie die optischen Außenteile sehr vorsichtig und nur im Falle der dringenden Notwendigkeit. Zuerst entfernen (wischen oder abstäuben) Sie vorsichtig den Staub und Sand von der optischen Oberfläche, dann reinigen Sie sie. Benutzen Sie ein sauberes Baumwolltuch (Watte mit Holzstab), die speziellen Mittel für die Linsen mit den Vielfachschichten oder Spiritus. Gießen die Flüssigkeit nie direkt auf die Linse!
- Lagern Sie das Gerät immer nur in der Aufbewahrungstasche, in einem trockenen, gut gelüfteten Raum. Bei der Dauerlagerung ziehen Sie unbedingt die Batterien heraus.

⚡ FEHLERBESEITIGUNG

In der Tabelle ist die Liste der möglichen Probleme, die beim Betrieb des Gerätes auftreten können, aufgeführt. Führen Sie die empfohlene Prüfung und Korrektur auf Art und Weise, wie es in der Tabelle angeführt ist, durch. In der Tabelle sind nicht alle Probleme, die entstehen können, erwähnt. Wenn in der gegebenen Liste das Problem nicht genannt ist, oder die erwähnte Maßnahme für die Beseitigung des Defektes kein Ergebnis hat, teilen Sie darüber dem Hersteller mit.

Problem	Mögliche Ursache	Beseitigung
Das Gerät kann nicht eingeschaltet werden.	Batterien sind falsch eingelegt.	Legen Sie Batterien der Markierung entsprechend ein.
	Der Batteriefachdeckel ist locker geschlossen.	Schließen Sie den Deckel fest.
	Die Kontakte im Batteriebehälter oder auf dem Deckel sind oxidiert: die Batterie läuft oder die Kontakte wurden durch chemisch aktive Flüssigkeit beschädigt.	Reinigen Sie die Kontakte im Innern des Batteriebehälters oder auf seinem Deckel.
	Batterien sind leer.	Legen Sie neue Batterien ein.
Das Bild ist unscharf, mit senkrechten Linien verzerrt und der Hintergrund ist ungleichmäßig.	Das Gerät soll kalibriert werden.	Führen Sie das Kalibrieren der Abteilung 9 entsprechend durch.

⚡ CARACTERÍSTICAS TÉCNICAS

SKU	76453BW	76459BW
Model	Core FXQ38BW	Core FXQ50BW
Microbolómetro:		
Tipo	no refrigerado	no refrigerado
Resolución, pixel	384x288	384x288
Tamaño del pixel, µm	17	17
Frecuencia de la renovación de las imágenes, Hz	50	50
Características ópticas:		
Aumentos, x		
- monocular	3,1	4,1
- visor acoplable	1	1
Objetivo	F38/1,2	F50/1,2
Zoom digital, x	2	2
Alivio pupilar del monocular, mm	16	16
Diámetro de la pupila de salida del monocular, mm	5	5
Ángulo horizontal del campo de visión, m a 100m	9,8 / 17,2	5,6 / 13,1
Ajuste dióptrico del ocular, dioptrías	+5 / -5	+5 / -5
Distancia de detección de un animal 1,7m de alto, m	1350	1800
Distancia mínima del enfoque, m	3-5	5-7
Aumento máximo recomendado del visor diurno, x	3	3
La pantalla:		
Tipo	AMOLED	
Resolución, pixel	640x480	640x480
Características de empleo:		
Alimentación	5 - 7,2 V	5 - 7,2 V
Tipo de baterías	2xCR123A	2xCR123A
Alimentación externa	5V (USB) / 12V (EPS)	
Tiempo operativo con juego de baterías, h	4	4
Clase de protección, código IP (IEC 60529)	IPX7* / IPX5**	IPX7* / IPX5**
Dimensiones, mm	180x65x60	190x65x60
Temperatura de funcionamiento, °C	-25 ... +50	-25 ... +50
Peso (sin/con baterías), kg	0,38 / 0,46	0,4 / 0,48

* No se aplica si el ocular reemplaza durante la lluvia

** Cuando se usa con una batería externa

⚡ CONTENIDO DEL EMBALAJE

- Monocular **CORE**
- Ocular del visor acoplable
- Funda
- Correa para la mano
- Adaptador de alimentación externa
- Cable USB
- Control remoto inalámbrico
- Manual de usuario
- Paño de limpieza
- Tarjeta de garantía

El diseño y el software de este producto están sujetos a modificaciones con fines de desarrollo. Encontrará la última edición de este manual de usuario en: <http://www.pulsar-vision.com>

⚡ DESCRIPCIÓN

El **CORE** es un dispositivo térmico multifuncional que puede ser utilizado como un monocular o como un visor acoplable. El **CORE** como visor acoplable se utiliza con dispositivos diurnos tanto de noche como de día, con condiciones atmosféricas complejas (niebla, smog, lluvia), así como también cuando existen obstáculos que dificultan la detección del objetivo (ramas, hierba alta, arbustos densos, etc.).

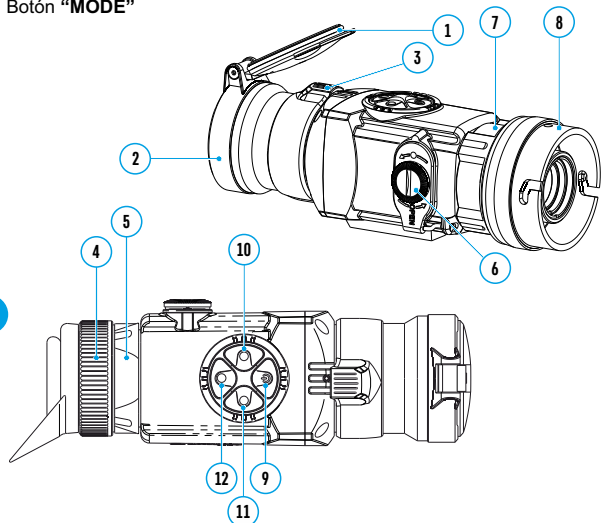
El **CORE** como monocular permite al usuario observar un objeto a una distancia más de 1000 metros. A diferencia de los dispositivos de visión nocturna sobre la base de convertidores electrónico-ópticos, los dispositivos **CORE** no necesitan una fuente externa de luz y no les afecta las "sobreexposiciones" de luz. Los dispositivos **CORE** pueden emplearse para la caza nocturna, la observación y orientación sobre el terreno, y la realización de operaciones de rescate y salvamento.

⚡ PARTICULARIDADES DISTINTIVAS

- Conversión rápida del monocular al visor acoplable (2 en 1)
- Montaje y desmontaje rápido del visor acoplable
- Distancia máxima de detección de más de 1km
- Pantalla monocromo de elevado contraste
- Software de alto reconocimiento y detección (tecnología IRIS) (basado en algoritmo intelectual de la ecuación dinámica)
- Zoom digital de 2x aumentos para el monocular
- Tres regímenes de calibración - manual, automático, semi-automático
- Tres regímenes de funcionamiento – “Rocas”, “Bosque”, “Reconocimiento”
- Mando control remoto
- Alimentación externa disponible
- Rango de temperaturas de uso -25 °C a +50°C
- Grado de protección IPX5 / IPX7
- Tamaño compacto
- Peso ligero

⚡ ELEMENTOS Y ÓRGANOS DE MANDO

- 1 Tapa del objetivo
- 2 Objeto
- 3 Manilla del enfoque interno del objetivo
- 4 Anilla del ajuste dióptrico del ocular
- 5 Anilla de bloqueo del ocular
- 6 Tapa del contenedor de las baterías
- 7 Anilla de tipo bayoneta del ocular del visor acoplable
- 8 Ocular del visor acoplable
- 9 Botón "ON/OFF"
- 10 Botón de navegación "LEFT"
- 11 Botón de navegación "RIGHT"
- 12 Botón "MODE"



	Primera presión breve	Siguiete presión breve	La presión larga	Operación en el menú	
				Presión Breve	Presión Larga
"ON/OFF"	Encender el dispositivo.	Calibración del dispositivo.	Apagar el dispositivo.	Calibración del dispositivo, confirmación de la eliminación de píxeles defectuosos - en el submenú correspondiente.	Apagar el dispositivo.
"RIGHT"	El aumento de nivel de luminosidad y el contraste*.	El aumento de nivel de luminosidad y el contraste.	Zoom digital x2 (solamente para el monocular).	Navegación por el menú - hacia arriba y hacia la derecha	---
"LEFT"	La reducción de nivel de luminosidad y del contraste.	La reducción de nivel de luminosidad y del contraste.	Inversión de la imagen.	Navegación por el menú - hacia abajo y hacia la izquierda.	---
"MODE"	Activación del modo de control de contraste.	Activación del modo de control de luminosidad.	Acceso al menú.	Confirmación y salida del menú.	Confirmación y salida del submenú**, salida del menú principal y complementario.

* dependiendo del modo seleccionado con el botón MODE **en ciertos submenús (ajuste del reloj).

⚡ ICONOS DE MENÚ/BARRA DE ESTADO

▲	Regimen de funcionamiento "Roscas"
▲	Regimen de funcionamiento "Bosque"
👁	Regimen de funcionamiento "Reconocimiento"
M	Regimen de la calibración manual
H	Regimen de la calibración semi-automático
A	Regimen de la calibración automático
🕒	Régimen del ajuste del reloj
☀	Ajuste de la luminosidad de los iconos del menú
x2	Zoom digital 2x
+	La función de eliminación de píxeles defectuosos
×	La cruz para eliminar píxeles defectuosos
☀/🌑	Ajuste del nivel de luminosidad y contraste
🔄	Regimen de inversión de imagen: "White hot"/"Black hot"
🔄	Vuelta a la mapa de píxeles original
🔋	Indicación de la carga de las baterías

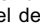
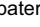
⚡ GUÍAS DE OPERACIÓN

Para asegurar el uso prolongado del visor, tenga en cuenta las siguientes recomendaciones:

- Antes del uso del visor, asegúrese de que el dispositivo fue ajustado y instalado conforme a la sección 9 "Empleo".
- Siempre hay que conservar el dispositivo con la tapa del objetivo cerrada solamente en la funda, en un local seco, con ventilación.
- Apague el instrumento después de su uso.
- **Se prohíbe reparar o desarmar el visor cuando está en periodo de garantía!**
- El dispositivo se puede utilizar dentro de un amplio rango de temperaturas.
- Sin embargo, si el dispositivo ha sido introducido desde el frío a un local abrigado - no lo encienda en el curso de 2 a 3 horas.
- Para garantizar un funcionamiento impecable, lleve a cabo una revisión técnica y el mantenimiento del dispositivo.

¡ADVERTENCIA! No apunte la lente del objetivo de la unidad hacia fuentes intensas de luz como dispositivos que emitan radiación láser o el sol. Esta acción podría causar que los componentes electrónicos dejen de funcionar. La garantía no cubre los daños causados por un funcionamiento incorrecto.

⚡ INSTALACIÓN DE BATERÍAS

- Gire la manilla de la tapa (6) del compartimiento de pilas en el sentido de las agujas del reloj hacia el tope y quite la tapa.
- Instale dos baterías del tipo CR123A según la indicación de fuera y dentro de la tapa del compartimiento de pilas.
- Coloque la tapa del compartimiento de pilas y presione hasta un clic - **asegúrese que la tapa está cerrada de ambos lados.**
- El nivel de carga  se muestra en la barra de estado.
- Si las baterías descargan completamente, el pictograma  parpadea en la barra de estado.

Atención: no use baterías recargables, su uso causa la indicación del nivel de cargo incorrecta y el dispositivo puede apagarse inesperadamente durante su funcionamiento.

Nota: no use las baterías de tipos diferentes o baterías con diferentes niveles de carga.

ABRIR:



Fig. 2

⚡ ALIMENTACIÓN EXTERNA

El adaptador de alimentación externa (suministrado) le permite usar los siguientes fuentes como alimentación externa:


- un Power bank (potencia de salida 5V, conector USB) o
- la Batería EPS31 / EPS5 (potencia de salida 12V; conector 2,1 mm).

Cómo conectar:

- Abra el y retire la tapa del contenedor de baterías (**ver sección 7**).
- Instale el adaptador de alimentación externa en el contenedor de baterías del monocular (**ver fig. 3**). Asegúrese de que los cierres (C) cierren en su lugar de ambos lados. Fije la tapa (6) en el adaptador (ver fig. 3).
- Conecte el power bank al conector USB (5V) o la batería Battery Pack EPS31/EPS5 al conector de alimentación externa (12V).
- Enciende el dispositivo pulsando brevemente el botón "ON/OFF" (9). Para extraer el adaptador de alimentación externa, presione los pestillos de ambos lados y tirelo.

Nota. Si Ud usa su propia alimentación externa, en el enchufe de alimentación que se conecta al dispositivo, el contacto central debe ser "+".

Es posible la marcación en el enchufe o en la fuente de alimentación - - +

¡Atención! Cuando el dispositivo funciona de la alimentación externa (icono ) el indicador de batería baja no refleja el nivel real de la carga de la batería.

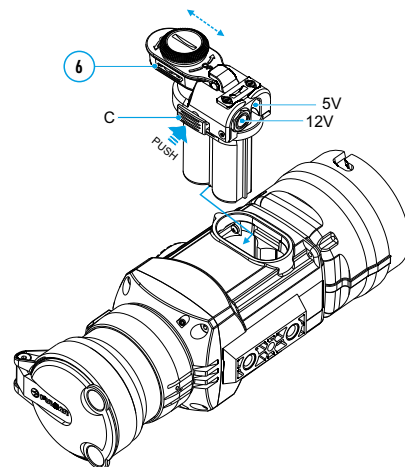


Fig. 3

EMPLEO

El **CORE** se puede utilizar como un monocular térmico o un visor acoplable a un visor diurno. El diseño original le permite convertir rápidamente el monocular en visor acoplable y viceversa.

8.1. El CORE como monocular

La descripción detallada del monocular **CORE** se puede encontrar en la sección 9 "EMPLEO. CALIBRACIÓN".

8.2. El CORE como visor acoplable

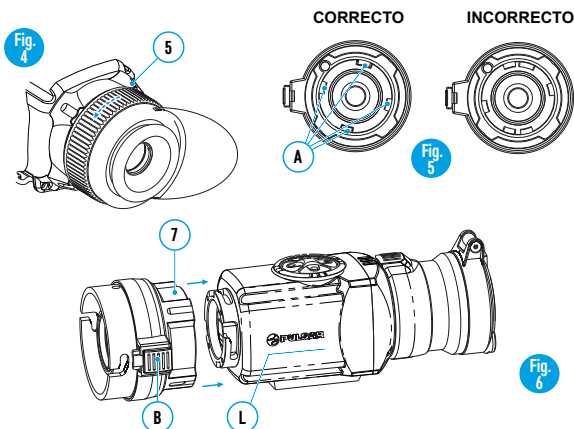
El **CORE** está diseñado para usarlo con un dispositivo diurno tanto de noche, como de día, incluso en condiciones atmosféricas complejas (niebla, smog, lluvia).

Para convertir el monocular en un visor acoplable y montarlo en dispositivo diurno siga, por favor, las instrucciones siguientes:

Etapa 1. Montaje del adaptador en el monocular CORE

- Gire la anilla de bloqueo (5) del ocular en el sentido contrario a las agujas del reloj hasta que oiga un clic y desmonte el ocular (Fig. 4).
- Monte el ocular del visor acoplable en el monocular del modo siguiente:

- Asegúrese de que los salientes (A) del adaptador se encuentran por encima de los salientes inferiores (Fig. 5).
- Coloque el ocular del visor acoplable de modo que la cerradura (B) es paralela al logotipo Pulsar (L) en el cuerpo del monocular (Fig. 6).
- Inserte el ocular del visor acoplable en el cuerpo del monocular hasta el fin y fíjelo girando la anilla de tipo bayoneta (7) en sentido de las agujas del reloj.



Etapa 2. Instalar la Tapa-adaptador en dispositivo diurno (usando las Tapas-adaptadores DN42/50/56 mm metálicos) (SKU#79124/79125/79126)

- Seleccione un adaptador con un casquillo (comprado por separado) del diámetro necesario. Debe elegirlo en función de la medida del diámetro exterior del objetivo de su dispositivo diurno.
- Una inscripción - 42 mm, 50 mm o 56 mm - en el adaptador designa el diámetro de luz del objetivo del dispositivo diurno.
- Mida el diámetro exterior del cuerpo del objetivo de su dispositivo diurno y elija el casquillo de acuerdo a la medida indicada en las tablas.

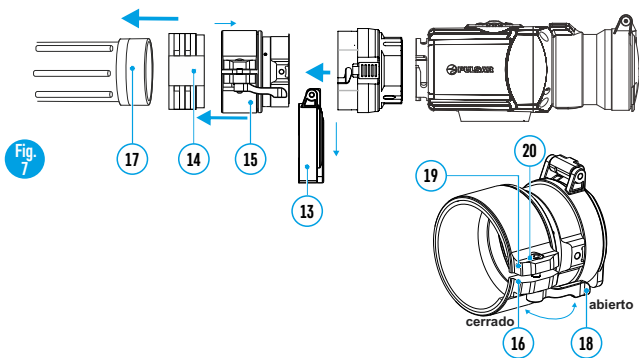
Ejemplo: si el diámetro de luz de su dispositivo es fuera de 42mm, y la medida exterior del objetivo es fuera de 47,2 mm, utilice el casquillo marcado con "Ø 47".

La tabla de la compatibilidad de los casquillos y los dispositivos diurnos

Diámetro de la lente del dispositivo diurno, mm	El diámetro externo del cuerpo del objetivo del dispositivo diurno, mm	El diámetro interno del casquillo, mm
42	45,5	45,5
	46	46
	46,5	46,5
	46,7-47,6	47
	47,7-48,6	48
	48,7-49,6	49
50	49,7-50,6	50
	51,6	51,6
	53,4	53,4
	54,7-55,6	55
	55,7-56,6	56
	56,7-57,6	57
	57,7-58,6	58
	58,7-59,6	59
56	59,7-60,6	60
	60,7-61,6	61
	61,7-62,6	62
	62,7-63,6	63
	63,7-64,6	64
	64,7-65,6	65

- Saque la tapa (13) del adaptador girándola en el sentido inverso a las agujas del reloj.
- Instale el casquillo (14) en el adaptador (15) hasta el final (ver. Fig. 4). **Importante! El casquillo debe instalarse con la parte angosta hacia adelante (ver el esquema).**
- Instale por completo el adaptador con el casquillo sobre el objetivo (17) del visor diurno (ver. Fig. 4).
- Cambie la palanca (18) de la posición inicial "ABIERTO" a la posición "CERRADO" (ver. Fig. 4).
Verifique que el adaptador encaja bien sobre el objetivo. Si no fuese así y tuviese alguna holgura, haga lo siguiente:
 - Afloje el tornillo de bloqueo (19) con la llave hexagonal (S=2 mm).
 - Apriete el tornillo (20) con una llave para hexagonal (S=4 mm) con el esfuerzo de apriete, necesario para asegurar que el adaptador esté bien ajustado al objetivo.
- Apriete el tornillo (19).

¡Atención! Antes de la instalación se recomienda engrasar el cuerpo del dispositivo diurno y la superficie interna del casquillo.



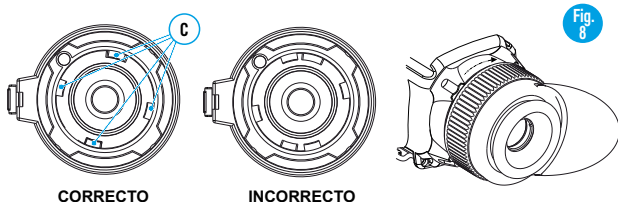
Etapa 3. Instalar el CORE en el dispositivo diurno

- Inserte firmemente el **CORE** con el ocular del visor acoplable montado en el tapa-adaptador de tal manera que los dientes en el cuerpo del adaptador entren en las ranuras del ocular del visor acoplable. Gire la unidad Core a la izquierda hasta escuchar un clic.
- Apriete el tornillo (20) con una llave hexagonal, para asegurarse que al girar la palanca, el adaptador con el casquillo encaja bien en el objetivo del dispositivo diurno.

Instalar el ocular en el CORE

- Para montar el ocular en el **CORE**, asegúrese de que los salientes inferiores (C) del ocular coinciden con los salientes amarillos inferiores (Fig. 8).
- Inserte el ocular en el cuerpo del monocular y gire el anillo de bloqueo (5) hacia la derecha (o en el sentido de las agujas del reloj).

Atención! Asegúrese que la línea de horizonte del dispositivo diurno está paralelo al borde superior/inferior de la pantalla del monocular CORE.



⚡ EMPLEO. CALIBRACIÓN

- Pulse brevemente el botón **“ON/OFF” (9)** para encender el visor. En el caso de una descarga completa de las baterías el pictograma parpadea en la barra de estado.
- Lleve a cabo la calibración de la imagen. La calibración permite equilibrar el fondo de temperaturas del microbolómetro y eliminar los defectos de la imagen.
Hay tres regímenes de calibración: manual (M), semi-automático (H) y automático (A).

Regimen de calibración manual (silencioso)

- Abra la tapa del objetivo (1).
- Pulse brevemente el botón **“ON/OFF” (9)** para encender el dispositivo, mantenga pulsado el botón **“MODE” (12)** dos segundos para entrar en el menú.
- Use los botones de navegación **“LEFT” (10)** y **“RIGHT” (11)** para seleccionar el punto Cal. Seleccione el modo **M**. Pulse el botón **MODE** para confirmar. Para salir del menú, mantenga pulsado el botón **MODE** dos segundos o espere unos 10 segundos – la salida ocurrirá automáticamente.
- Cierre la tapa del objetivo. Pulse brevemente el botón **“ON/OFF”** para calibrar. La imagen se congela durante 1-2 segundos. Luego abra la tapa del objetivo. La calibración está terminada.
- Si en la pantalla aparecen defectos de la imagen (imagen congelada, rayas verticales etc.) vuelva a calibrar de nuevo con la tapa del objetivo cerrada.

Regimen de calibración semi-automático

- Enciende el dispositivo, abra la tapa del objetivo.
- Mantenga pulsado el botón **“MODE” (12)** por dos segundos para entrar en el menú.
- Use los botones de navegación **“LEFT” (10)** y **“RIGHT” (11)** para seleccionar la opción Cal. Seleccione el modo **H**. Pulse el botón **MODE** para confirmar.
- Pulse brevemente el botón **“ON/OFF”** para calibrar. La imagen se congela durante 1-2 segundos. Ud. va a oír el sonido de la compuerta interna. La calibración está terminada.

Regimen de calibración automática

- En el regimen de calibración automática el dispositivo se calibra de forma independiente de acuerdo con el algoritmo del programa. El sensor se cierra por la compuerta interna automáticamente. En éste regimen se permite la calibración manual usando el botón **“ON/OFF”**.
- Encienda el dispositivo, abra la tapa del objetivo.
 - Mantenga pulsado el botón **“MODE” (12)** por dos segundos para entrar en el menú.
 - Use los botones de navegación **“LEFT” (10)** y **“RIGHT” (11)** para seleccionar la opción Cal. Seleccione el modo **A**. Pulse el botón **“MODE”** para confirmar.
 - En el momento de calibración automática la imagen se hiela durante 1-2 segundos. Ud. va a oír el sonido de la compuerta interno.
 - **Nota:** el tiempo entre las calibraciones depende de calentamiento del sensor. Al encender el dispositivo, la calibración puede tener lugar más frecuentemente.

Enfoque y ajuste de la imagen

- Abra la tapa (1) del objetivo.
- Ajuste la nitidez de los pictogramas por medio de la rotación del anillo de ajuste dióptrico del ocular (4).
- Para ajustar la luminosidad de la pantalla, pulse brevemente botones de navegación - “LEFT” (10) (reducción) y “RIGHT” (11) (aumento). El grado de luminosidad seleccionado (de 0 a 20) aparece junto con el pictograma ☉ en la esquina superior derecha de la pantalla.
- Para ajustar el contraste de la pantalla, pulse brevemente el botón “MODE” (12) (aparece el pictograma ⑫). Pulse brevemente los botones de navegación - “LEFT” (10) (reducción) y “RIGHT” (11) (aumento). Para seleccionar el nivel del contraste level (de 0 a 20). El grado correspondiente de contraste aparece junto con el pictograma de contraste en la esquina superior derecha de la pantalla.
- Elija un objeto cálido inmóvil para la observación que esté alejado a una cierta distancia, por ejemplo, 100 m.
- Girando la rueda del enfoque interno del objetivo (3), obtenga la mejor calidad de la imagen.
- Después de éste ajuste, independientemente de la distancia y de otras condiciones, no hay necesidad de girar el anillo del ajuste dióptrico. Ajuste la imagen solamente con la rueda del enfoque interno del objetivo.

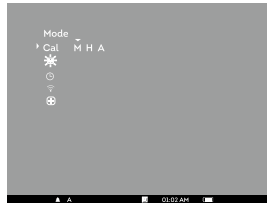
Funciones adicionales

- Mantenga pulsado el botón “RIGHT” (11) durante dos segundos para activar el zoom digital de 2x (disponible solamente si el dispositivo está usado como monocular). El pictograma x2 aparece en la barra de estado.
- Mantenga pulsado el botón “LEFT” (10) dos segundos para activar la inversión del color de la imagen (funciones “White hot” y “Black hot”). Al utilizar la función “White hot” (blanco cálido) los objetos cálientes se representan con matices más claros; “Black hot” (negro cálido) – los objetos cálientes se representan con matices más oscuros.

MENÚ

El menú contiene las opciones siguientes:

- Régimenes de funcionamiento Mode
- Régimenes de calibración Cal
- Ajuste de luminosidad de símbolos de pantalla ☉
- Reglaje de reloj ⌚
- Activación del control remoto inalámbrico 📶
- Eliminación de píxeles defectuosos ⊕



La barra de estado

En la barra de estado se muestra la siguiente información:

- Régimen de funcionamiento – “Rocas”, “Bosque”, “Reconocimiento”
- Régimen de la calibración - manual, automático, semi-automático
- Zoom digital x2 activado
- Inversión de la imagen activado
- Reglaje de reloj
- Estado de la batería

Régimenes de funcionamiento

Hay tres regímenes automáticos del funcionamiento del dispositivo térmico:

“Rocas” ▲ (contraste elevado), “Bosque” ▲ (contraste reducido) y “Identificación” ☉ (más detalles).

- Cada régimen incluye una combinación óptima de los parámetros (tales como luminosidad, contraste, amplificación etc.) para asegurar la mejor calidad de la imagen en condiciones particulares.
- Mantenga pulsado el botón “MODE” (12) por dos segundos para entrar en el menú.
- Elija un régimen y pulse brevemente “MODE” para confirmar.
- El pictograma del régimen elegido se muestra en la barra de estado.

Régimenes de la calibración

Para mayor información, ver el capítulo 8 “Empleo”.

Ajuste de la luminosidad de los iconos del menú

- Mantenga pulsado el botón “MODE” (12) dos segundos para entrar en el menú.
- Pulse brevemente botones de navegación - “LEFT” (10) y “RIGHT” (11) para seleccionar el pictograma ☉.
- Seleccione el nivel de la luminosidad (de 1 a 10) con los botones de navegación.
- Para salir del menú, mantenga presionado el botón “MODE” dos segundos. O bien espere unos 10 segundos – la salida ocurrirá automáticamente.

Reglaje de reloj

- Mantenga pulsado el botón “MODE” (12) dos segundos para entrar en el menú.
- Pulse brevemente botones de navegación - “LEFT” (10) y “RIGHT” (11) para seleccionar el pictograma ⌚. Presione el botón “MODE”.
- Elija el formato del tiempo “24” o “AM/PM” con los botones de navegación.
- Pulse brevemente el botón “MODE” pasar al ajustar el valor de horas. Ajuste con los botones de navegación.
- Pulse brevemente el botón “MODE” de nuevo para pasar al ajuste del valor de minutos. Set with navigation buttons. Ajuste con los botones de navegación.
- Para salir del menú, mantenga presionado el botón “MODE” por dos segundos. O bien espere unos 10 segundos – la salida ocurrirá automáticamente.

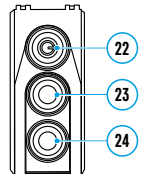
Activación del control remoto inalámbrico


El control remoto inalámbrico duplica las funciones de conexión del dispositivo, inversión de imagen y la calibración.

It has three buttons:

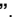

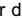
En el control remoto hay tres botones:

- Botón “ON” (22) – encender / apagar el visor (encender – pulsar brevemente/apagar – mantener pulsado 2 seg)).
- Botón (23) - inversión de imagen.
- Botón “CAL” (24) – calibración de imagen. Antes de comenzar el funcionamiento con el control remoto, hay que activarlo:
- Encienda el dispositivo y seleccione la opción “RC activation” (pictograma 📶).

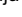


- Presione brevemente el botón **“MODE” (12)**, aparecerá el mensaje “Wait” (Esperar) y comenzará la cuenta inversa de tiempo, en el curso del cual presione y mantenga durante dos segundos cualquier botón del control remoto.
- En el caso de una activación exitosa, al lado del icono  aparecerá el mensaje “Complete” (Completado). El control remoto está activado y preparado para su funcionamiento.
- Si no se ha completado el proceso aparecera el mensaje **“Error”**, repite el procedimiento.
- Si el control remoto no funciona, reemplace la batería. Para hacerlo, afloje los tornillos en la parte posterior del control remoto, extraiga la tapa trasera, extraiga la batería antigua y coloque una batería nueva CR2032.

Eliminación de píxeles defectuosos

- Durante el uso del dispositivo térmico sobre el sensor pueden aparecer píxeles defectuosos (**“muertos”**), i.e. puntos vivos o oscuros con el brillo constante, que son visibles en la imagen. Los dispositivos térmicos **CORE** permiten la reparación de estos píxeles defectuosos en el sensor mediante un software.
- Mantenga pulsado el botón **“MODE” (12)** durante dos segundos para entrar en el menú.
 - Pulse brevemente los botones de navegación - **“LEFT” (10)** y **“RIGHT” (11)** para seleccionar el pictograma , pulse **“MODE”**.
 - En el submenú que aparece elija el pictograma  y pulse **“MODE”**.
 - El centro de la pantalla aparece una cruz, en el lugar de los pictogramas emergentes aparecen las coordenadas (X; Y):  de la cruz relativamente al centro de la pantalla, los pictogramas desaparecen de la pantalla.
 - Usando los botones de navegación alinee el centro de la cruz con un pixel defectuoso (el pixel defectuoso debería desaparecer). La breve pulsación de **“MODE”** le permite cambiar la dirección de la cruz de horizontal a vertical.
 - Al alinear el centro de la cruz con el pixel defectuoso, pulse el botón **“ON/OFF” (9)** para repararlo.
 - En caso de éxito, en el lugar de las coordenadas aparece un mensaje breve **“OK”**.
 - Luego Ud puede continuar moviendo la cruz a otro pixel defectuoso. Al mover la cruz en el campo de las coordenadas, estas se mueven en la parte inferior derecha de la pantalla.
- Para salir de esta función, mantenga presionado el botón **“MODE”**.

Vuelta a la mapa de píxeles original

- Si Ud quiere volver al mapa de píxeles original (i.e. restaurar todos los píxeles defectuosos previamente reparados), elija en el submenú emergente el pictograma  y pulse el botón **“MODE”**.
- A la derecha del pictograma aparecen las opciones **“Si”** y **“No”**.
- Pulse los botones de navegación para elegir **“Yes”** y pulse el **“MODE”**.
- Si Ud ha cambiado de opinión y ha decidido no volver a la mapa de píxeles original, elija **“No”** y pulse el **“MODE”**.
- Para salir del menú, mantenga presionado el **“MODE”** durante dos segundos. O bien espere unos 10 segundos – la salida ocurrirá automáticamente.

¡Atención! En la pantalla del dispositivo térmico se admite la presencia de 1-2 píxeles en concepto de puntos blancos o brillantes que no se eliminan y no son un defecto.

- Para desconectar el dispositivo, presione el botón **“ON/OFF” (9)** durante dos segundos.

⚡ MANTENIMIENTO Y ALMACENAMIENTO

- El dispositivo como monocular tiene el grado de protección de IPX7 (totalmente hermético ante el agua, Inmersión completa en agua a 1 metro durante 30 minutos); IPX5 como dispositivo acoplable - protección contra chorros de agua.
- **¡Se prohíbe reparar o desarmar el visor durante el periodo de garantía!**
Hay que llevar a cabo con mucho cuidado y solamente en caso de necesidad evidente la limpieza exterior de las piezas ópticas. Para comenzar, con cuidado elimine (quite o soplo) el polvo y la arena de la superficie óptica, después realice la limpieza. Utilice una servilleta limpia de algodón (algodón o un palito de madera), con medios especiales para los lentes con cubiertas poliestratificadas o con alcohol. ¡No vierta el líquido directamente sobre los lentes!
- Siempre hay que conservar el visor solamente en la funda, en un local seco, con ventilación. Durante un almacenamiento prolongado, extraiga las baterías de alimentación.
- Las baterías no deben someterse a un calentamiento excesivo bajo la acción de los rayos solares, del fuego o de fuentes semejantes.

⚡ LOCALIZACIÓN DE PROBLEMAS

En la tabla se exponen los posibles problemas que pueden surgir durante el uso del visor. Lleve a cabo la comprobación y la corrección recomendadas de acuerdo al procedimiento indicado en la tabla. Si en la lista indicada no estuviera expuesto un problema o la acción indicada para la eliminación del desperfecto no da resultado, comuníquelo al fabricante.

Falla	Posible causa	Reparación
El dispositivo no se enciende.	Las baterías están colocadas incorrectamente.	Coloque las baterías correctamente según su polaridad (o atendiendo a su polaridad).
	La tapa del contenedor de baterías no esta bien cerrada.	Cierre bien la tapa del contenedor de baterías.
	Están oxidados los contactos en el contenedor de las baterías o su tapa - por fuga de líquido en las baterías o sobre los contactos cayó un líquido químico activo.	Limpie los contactos en el contenedor de baterías o en su tapa.
	Las baterías están completamente descargadas o uno o más baterías son defectuosas.	Reponga por baterías con carga.
La imagen no es nítida, con bandas verticales y con un fondo irregular.	Es necesaria la calibración.	Lleve a cabo la calibración de la imagen de acuerdo con las instrucciones del capítulo 9 “Empleo” .
La imagen es demasiado oscura.	Está colocado el nivel inferior de luminosidad.	Ajuste la luminosidad.
El punto de puntería no coincide con el punto de impacto.	Hay que calibrar la pantalla.	Haga la calibración según las instrucciones (véase más abajo).

SPECIFICHE TECNICHE

SKU	76453BW	76459BW
Modello	Core FXQ38BW	Core FXQ50BW
Microbolometro:		
Tipo	non raffreddato	non raffreddato
Risoluzione, pixel	384x288	384x288
Dimensioni dei pixel, µm	17	17
Frequenza di rinnovo di immagine, Hz	50	50
Le caratteristiche ottiche:		
Ingrandimento, x		
- monoculare	3,1	4,1
- visore applicabile anteriormente	1	1
Obiettivo	F38/1,2	F50/1,2
Zoom digitale, x	2	2
Estensione del campo visivo posteriore dell'oculare del monoculare, mm	16	16
Diametro di pupilla d'uscita del monoculare, mm	5	5
Angolo di campo visivo orizzontale, m@100m	9,8 / 17,2	5,6/13,1
Regolazione diottrica dell'oculare, D	+5/-5	+5/-5
La distanza di rilevamento di un animale lungo 1,7 metri, m, approssimativa	1350	1800
Distanza minima di messa a fuoco ravvicinata, m	3-5	5-7
Ingrandimento massimo consigliato dell'apparecchio diurno, x	3	5
Il display:		
Tipo	AMOLED	
Risoluzione, pixel	640x480	640x480
Caratteristiche di uso:		
Alimentazione	5 - 7,2 V	5 - 7,2 V
Batterie	2xCR123A	2xCR123A
Alimentazione esterna	5V (USB) / 12V (EPS)	
Durata max. di funzionamento con batterie completamente cariche, ora	4	4
Grado di protezione, codice IP (IEC 60529)	IPX7* / IPX5**	IPX7* / IPX5**
Temperature di utilizzo, °C	-25 ... +50	-25 ... +50
Dimensioni, mm	180x65x60	190x65x60
Peso (senza/con batterie), kg	0,38 / 0,46	0,4 / 0,48

* Non si applica quando si sostituisce l'oculare durante la pioggia

** Se utilizzato con una batteria esterna

CONTENUTO DELLA CONFEZIONE

- Monocolo **CORE**
- Oculare per il visore applicabile
- Custodia
- Bretella
- Adattatore di alimentazione esterno
- Cavo USB
- Comando remoto
- Istruzioni d'uso
- Panno di pulizia
- Garanzia

Il design e il software di questo prodotto possono essere oggetto di modifiche in vista di miglioramenti. L'edizione più recente del presente manuale d'uso è disponibile all'indirizzo <http://www.pulsar-vision.com>

DESCRIZIONE

Il **CORE** è un dispositivo multifunzionale per visione termica che può essere utilizzato sia come monoculare che posto anteriormente su altri dispositivi. I **CORE** possono essere usati sia di notte che di giorno in situazioni climatiche difficili (nebbia, smog, pioggia) e anche se ci sono degli ostacoli che impediscono di individuare l'obiettivo (rami, erba alta, cespugli folti).

Il **CORE** come un monoculare permette di osservare un oggetto ad una distanza di più di 1000 metri.

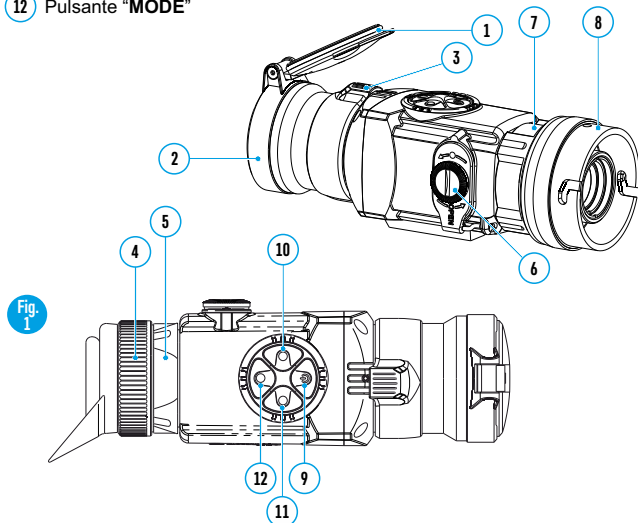
CORE unit non hanno bisogno di fonti esterne luminose e non temono esposizioni alla luce, a differenza degli altri apparecchi di visione notturna; **CORE** unit possono essere usati per la caccia notturna, osservazione ed orientamento e per operazioni di salvataggio.

ELEMENTI DISTINTIVI

- Attacco rapido per conversione (2 in 1)
- Attacco rapido per montaggio
- Visione di più di 1km
- Display ad alto contrasto monocromatico
- Tecnologia IRIS per incrementare le capacità ricognitive ed identificative
- Zoom Digitale del monocolo 2x
- Tre possibilità di calibratura: manuale, semiautomatica e automatica
- Tre modalità di funzionamento – “**Rocce**”, “**Bosco**”, “**Identificazione**”
- Controllo remote senza fili
- Operatività in un'ampia gamma di temperature da -25 °C a +50 °C
- Alimentazione esterna disponibile
- Grado di protezione IPX7 (completamente resistente all'acqua)
- Dimensioni compatte
- Peso leggero

COMPONENTI ED ELEMENTI DI CONTROLLO

- 1 Tappo dell'obiettivo
- 2 Obiettivo
- 3 Ruota di focalizzazione interna dell'obiettivo
- 4 Oculare regolabile per diottrie
- 5 Anello di blocco dell'oculare
- 6 Tappo vano delle batterie
- 7 Anello per attacco a baionetta del visore applicabile
- 8 Oculare per il visore applicabile
- 9 Pulsante "ON/OFF"
- 10 Pulsante di navigazione "LEFT"
- 11 Pulsante di navigazione "RIGHT"
- 12 Pulsante "MODE"



	Prima pressione breve	Successiva pressione breve	Pressione lunga	Menu	
				Pressione breve	Pressione lunga
"ON/OFF"	Si accende il dispositivo	Si calibra	Si spegne il dispositivo	Calibratura del visore, eliminazione di pixel rovinati in corrispondenza del sub menu	Spegnimento del dispositivo
"RIGHT"	Incremento della luminosità e del contrasto*	Incremento della luminosità e del contrasto*	Zoom digitale x2 (solo per i monocchi)	Menu di navigazione – verso l'alto e verso destra	---
"LEFT"	Decremento della luminosità e del contrasto*	Decremento della luminosità e del contrasto*	Inversione di colore	Menu di navigazione – verso basso e verso sinistra	---
"MODE"	Attivazione modalità di controllo contrasto	Attivazione modalità di controllo luminosità	Si entra nel menu principale	Conferma ed uscita dal sub menu	Conferma ed uscita dal sub menu**, uscita dal menu principale, ausiliario.

*in base a ciò che si è selezionato con MODE.

**In qualche sub menu controllo dell'ora

ICONS DE MENÚ/BARRA DE ESTADO

▲	Stato di funzionamento "Rocks"
▲	Stato di funzionamento "Forest"
👁	Stato di funzionamento "Identificazione"
M	Modalità di calibratura manuale
H	Modalità di calibratura semiautomatica
A	Modalità di calibratura automatica
🕒	Orologio
☀	Regolazione di luminosità delle icone dei menu
x2	Zoom digitale 2x
+	Opzione di riparazione del pixel
X	Incrocio pixel per riparazione
☀🌑	Regolazione del livello di luminosità e di contrasto
🖼	Modalità di inversione immagine: "caldo bianco" e "caldo nero"
🔄	Ritorno alla modalità predefinita di pixel
🔋	Indicazione di carica delle batterie

⚡ LINEE GUIDA PER L'USO

Il **CORE** è progettato per un uso a lungo termine. Per assicurare performance costanti seguire i seguenti punti:

- Prima dell'uso assicurarsi di aver montato e regolato il visore secondo il paragrafo 9 "Operatività" delle istruzioni.
- Conservare l'obiettivo nell'astuccio coperto.
- Spegnerlo l'apparecchio dopo l'uso.
- La garanzia si perde se lo strumento viene riparato oppure smontato.
- Il cannocchiale funziona nell'ampia scala di temperatura. Se però il cannocchiale è stato esposto al freddo, non accenderlo per 2 o 3 ore.
- Per assicurare il funzionamento corretto e per eliminare guasti che provocano l'usura anticipata o la rottura, è obbligatoria la manutenzione ordinaria.

AVVERTENZA! Non puntare la lente dell'obiettivo dell'unità verso fonti di luce intensa, quali i dispositivi che emettono radiazioni laser o il sole, per non rischiare di compromettere la funzionalità dei componenti elettronici. La garanzia non copre eventuali danni causati da un uso improprio.

⚡ INSERIMENTO DELLE BATTERIE

- Girare la manopola del vano batteria (6) in senso antiorario a fondo e rimuoverlo.
- Inserire due batterie CR123A secondo la marcatura sul v. all'interno del coperchio del vano batteria.
- Rimettere il coperchio della batteria alla sua posizione, premere fino a un click – il coperchio sarà chiuso.
- **Assicurarsi che il coperchio sia inserito da entrambi i lati.**

APRIRE:



Fig. 2

- Il livello di carica viene indicato nel basso del display nella barra di stato.
- In caso di batteria scarica, un'icona lampeggia nella barra di stato e nel centro del display.

Attenzione: non utilizzare batterie ricaricabili in quanto il loro uso provoca un' imprecisa indicazione del livello di carica e possono causare una brusca interruzione del funzionamento.

Nota bene: non utilizzare batterie di diverso tipo o con diversi livelli di carica.

⚡ ALIMENTAZIONE ESTERNA

L'adattatore per alimentazione esterna consente di utilizzare come alimentazione esterna:

un accumulatore (uscita tensione 5V, presa USB) o la batteria EPS31/ EPS5 (tensione di uscita 12V; 2,1 mm spina).

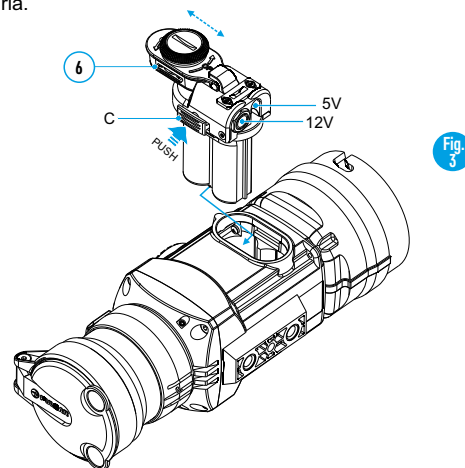
Come collegare:

- Aprire e rimuovere il vano coperchio della batteria (**vedere sezione 7**).
- Installare l'adattatore nel vano batteria del monocolo (**vedi fig. 3**).
- Assicurarsi che le chiusure dell'adattatore (C) siano schiacciate su entrambi i lati.
- Fissare il tappo (6) sull'adattatore (**vedi fig. 3**).
- Collegare l'accumulatore di energia con la porta USB (5V) o la EPS31/EPS5 con la presa di alimentazione esterna (12V).
- Accendere l'apparecchio con una breve pressione del tasto "ON/OFF" (9).
- Per rimuovere l'adattatore esterno, spingendo i fermi su entrambi i lati e tirare.

Quando si utilizza il proprio alimentatore esterno, il pin centrale dell'alimentatore ,da collegare alla presa "Power" ,del termovisore deve avere il segno +

L'alimentatore o il pin potrebbe avere il simbolo $--\ominus+$

Attenzione! Quando l'unità funziona con alimentazione esterna, è possibile che l'indicatore di batteria () non visualizzi il livello di carica della batteria.



⚡ OPERATIVITA'

Il Core può essere usato come monocolo o posto anteriormente ad un cannocchiale diurno. Il design originale permette di convertirlo velocemente da monocolo a termocamera anteriore di un cannocchiale diurno e viceversa.

8.1. CORE come monocolo.

La descrizione dettagliata del monocolo Core può essere trovata nella sezione 9 "Operatività. Calibratura".

8.2. CORE come attacco frontale.

CORE come termocamera anteriore è progettato per essere utilizzato con dispositivi diurni, sia in notturna che diurna, in caso di maltempo (nebbia, smog, pioggia, ecc).

Per convertire il visore termico Core da monocolo a termocamera e montarlo su un dispositivo diurno, si prega di seguire le istruzioni seguenti:

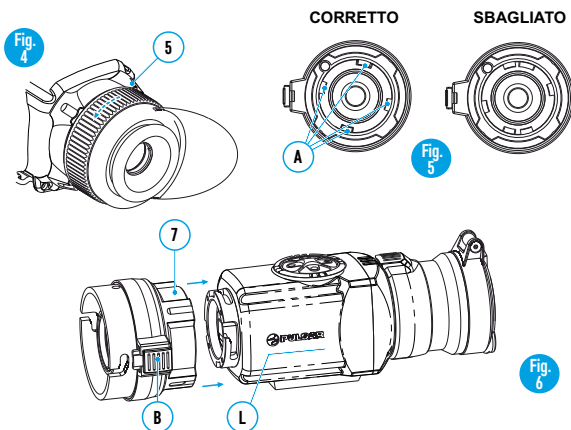
Fase 1. Adattatore sull'unità Core: montaggio.

- Ruotare l'anello di bloccaggio dell'oculare (5) in senso antiorario fino a sentire un clic e rimuovere l'oculare (Fig. 4).
- Montare il oculare per il visore applicabile come segue:

- Assicurarsi che i grani (A) dell'oculare per il visore applicabile si trovino sopra i loro incastri inferiori (vedi Fig. 5).

- Individuare il oculare per il visore applicabile in modo che il blocco (B) sia parallelo al logo Pulsar (L) sul corpo dell'apparecchio (Fig. 6).

- Inserire il oculare per il visore applicabile nel corpo dell'apparecchio fino all'arresto e bloccarlo ruotando anello per attacco a baionetta (7) in senso orario.



Fase 2. Installazione del Core su un dispositivo diurno (con attacchi metallici-adattatori DN42/50/56 mm) (SKU # 79124/79125/79126)

- Scegliere l'adattatore (comprati separatamente) in funzione della campana del dispositivo diurno.
- Il nome dell'adattatore (42mm, 50mm, 56mm) indica le dimensioni delle lenti del dispositivo diurno su cui applicare il CORE.
- La tabella sottostante riporta le misure delle campane e l'adattatore corrispondente.

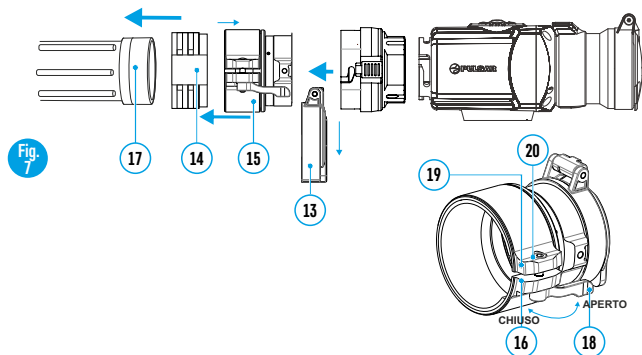
Esempio: lenti del dispositivo diurno 42mm, misura del diametro esterno della campana e 47,2mm bisogna aggiungere l'inserto marchiato "Ø 47".

Tabella di compatibilità con le lenti del cannocchiale

Diametro lenti dispositivo diurno, mm	Diametro esterno della campana, mm	Diametro dell'inserto, mm
42	45,5	45,5
	46	46
	46,5	46,5
	46,7-47,6	47
	47,7-48,6	48
	48,7-49,6	49
50	49,7-50,6	50
	51,6	51,6
	53,4	53,4
	54,7-55,6	55
	55,7-56,6	56
	56,7-57,6	57
56	57,7-58,6	58
	58,7-59,6	59
	59,7-60,6	60
	60,7-61,6	61
	61,7-62,6	62
	62,7-63,6	63
	63,7-64,6	64
	64,7-65,6	65

- Togliere il tappo (13): ruotare in senso antiorario.
- Posizionare l'inserto (14) nell'adattatore (15) a fondo (vedi fig. 7).
- **Attenzione! L'inserto deve essere installato con la parte ristretta rivolta verso il basso (vedi lo schema).**
- Installare saldamente l'adattatore con l'inserto sulla lente dell'obiettivo (17) del cannocchiale diurno (fig. 7).
- Far scattare la leva (18) dalla posizione iniziale "APERTO" di apertura alla posizione "CHIUSO" (fig. 4). Verificare che l'adattatore sia inserito saldamente sulla lente dell'obiettivo.

- Se c'è gioco:
 - Allentare la vite di bloccaggio (19) con la chiave esagonale (S = 2 mm).
 - Serrare la vite (20) con chiave (S=4 mm) con la forza di chiusura necessaria per garantire che l'adattatore si adatti strettamente alla lente obiettivo.
- Serrare la vite di bloccaggio (19).
- **Attenzione! Prima dell'installazione si consiglia di sgrassare la campana del dispositivo diurno, e l'interno dell'adattatore.**



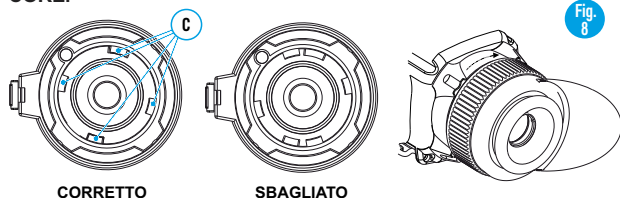
Fase 3. Montaggio del Core su un dispositivo diurno

- Inserire sul Core l'oculare per il visore applicabile in modo che i perni corrispondano ai relativi interstizi. Girare il Core in senso antiorario fino a sentire un click.
- Stringere la vite (20) con la chiave esagonale per garantire che quando si gira la leva, l'attacco si adatta perfettamente alla campana del dispositivo diurno.

Montaggio dell'oculare sul Core

- Per montare l'oculare sull'unità, assicurarsi che i perni inferiori (C) dell'oculare corrispondano agli interstizi inferiori (Fig. 8). Inserire l'oculare nel corpo dell'unità e ruotare l'anello di bloccaggio (5) in senso orario.

Attenzione! Assicurarsi che linea dell'orizzonte del dispositivo diurno è parallela al bordo superiore/inferiore del monocolo CORE.



⚡ OPERATIVITA'. CALIBRATURA.

Per mettere in funzione l'apparecchio premere il pulsante "ON/OFF" (9). In caso di batteria scarica, un'icona lampeggia nella barra di stato e nel centro del display.

- Fare la calibratura dell'immagine. La calibratura permette di equalizzare il fondo termico ed eliminare i difetti dell'immagine. Tre possibilità di calibratura: manuale (M), semiautomatica (H) e automatica (A).

Calibratura manuale (silenzioso)

- Aprire il copriobiettivo (1).
- Premere brevemente il pulsante "ON/OFF" (9) per accendere l'unità, tenere premuto il pulsante "MODE" (12) per due secondi per entrare nel menu.
- Utilizzare i pulsanti di navigazione "LEFT" (10) e "RIGHT" (11) per selezionare Cal. Selezionare modalità M. Premere "MODE" per confermare. Per uscire dal menu tenere premuto il pulsante "MODE" per 2 secondi, o aspettare 10 secondi per l'uscita automatica.
- Chiudere il copriobiettivo. Premere il pulsante "ON/OFF" per calibrare. L'immagine si bloccherà per 1-2 secondi; quindi aprire il copriobiettivo. La calibratura è completata.
- Nel caso in cui si vedano difetti di immagine (come immagine congelata, strisce verticali, ecc) ricalibrare l'unità.

Calibratura semiautomatica

- Accendere l'unità e aprire il copriobiettivo (1).
- Tenere premuto il pulsante "MODE" (12) per due secondi per entrare nel menu.
- Utilizzare i pulsanti di navigazione "LEFT" (10) e "RIGHT" (11) per selezionare Cal. Selezionare modalità H. Premere "MODE" per confermare.
- Premere il pulsante "ON/OFF" (9) per calibrare. L'immagine si blocca per 1-2 secondi e si sente il suono dell'otturatore interno. La calibratura è completata.

Calibratura automatica

- Con la modalità di calibratura automatica la termocamera si calibra da sé, in base al software. Il detector (microbolometrico) è chiuso con l'otturatore automaticamente. La calibratura assistita con il bottone "ON/OFF" può essere fatta in questa modalità dall'utente.
- Accendere l'unità e aprire il copriobiettivo.
- Tenere premuto il pulsante "MODE" (12) per due secondi per entrare nel menu.
- Utilizzare i pulsanti di navigazione "LEFT" (10) e "RIGHT" (11) per selezionare Cal. Selezionare modalità A. Premere MODE per confermare. Al momento della calibratura automatica l'immagine si blocca per 1-2 secondi e si sente il suono dell'otturatore interno.
- **Nota bene:** gli intervalli di tempo per la calibratura dipendono dal calore del rilevatore. L'unità può richiedere tarature frequenti nella modalità automatica.

Focalizzazione e regolazione dell'immagine

- Accendere l'unità e aprire il copriobiettivo (1).
- Girare l'anello di sintonizzazione diottrica dell'oculare (4), quindi regolare l'incisività.
- Per regolare la luminosità del display, premere brevemente il tasto di navigazione - "LEFT" (10) (diminuzione) e "RIGHT" (11) (aumento). Il livello adeguato della luminosità ☼ (da 0 a 20) verrà indicato vicino all'indicatore della luminosità nella parte superiore del display.
- Per regolare il contrasto del display, premere brevemente il tasto "MODE" (12) (apparirà il pittogramma ●). Il livello adeguato del contrasto (da 0 a 20) sarà segnato vicino all'indicatore di contrasto nella parte superiore del display. Scegliere a distanza di circa 100 m l'oggetto caldo fisso per l'osservazione.
- Girando la ghiera di focalizzazione interna dell'obiettivo (3), cercate di ottenere la qualità migliore dell'immagine.
- Dopo questa regolazione, indipendentemente dalla distanza ed altre condizioni, non bisogna girare l'anello di sintonizzazione diottrica. Regolare l'immagine solo con la ghiera di focalizzazione interna dell'obiettivo.

MENU

Menu include funzioni seguenti:

- Modalità di funzionamento Mode
- Modalità di calibratura Cal
- Regolazione di luminosità delle icone dei menu ☼
- Impostazione dell'orologio ⌚
- Attivazione del quadro di telecomando 📶
- Riparazione del pixel 🗑



Barra di stato

Nella barra di stato vengono raffigurate le seguenti informazioni:

- Modalità di funzionamento ("Rocce", "Bosco", "Identificazione")
- Modalità di calibratura (manuale, semiautomatica, automatica)
- Zoom digitale x2 attivato
- L'inversione del colore dell'immagine attivata
- Orologio
- Stato della batteria

Modalità di funzionamento

Ci sono tre modalità di funzionamento automatico: "Rocce" 🏔 (migliore contrasto), "Bosco" 🌲 (basso contrasto) e "Identificazione" 🗑 (migliore resa dei dettagli).

Ogni modalità prevede la combinazione ottimale dei parametri (luminosità, contrasto, guadagno, ecc.) per offrire la migliore immagine possibile, in condizioni di visualizzazione specifiche.

- Tenere premuto il pulsante "MODE" (12) per due secondi per entrare nel menu.
- Confermare la scelta premendo brevemente il pulsante "MODE".
- Il pittogramma della modalità scelta è indicata nella barra di stato.

Modalità di calibratura

Si prega di consultare la sezione 8 "Operatività" per i dettagli.

Regolazione di luminosità del menu

- Tenere premuto il pulsante "MODE" (12) per due secondi per entrare nel menu.
- Premere brevemente il tasto di navigazione - "LEFT" (10) e "RIGHT" (11) e selezionare l'icona ☼.
- Selezionare il livello di luminosità (da 1 a 10), con i tasti di navigazione.
- Per uscire dal menu tenere premuto il pulsante "MODE" per 2 secondi, o aspettare 10 secondi per l'uscita automatica.

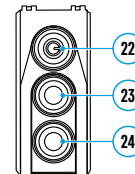
Impostazione dell'orologio

- Tenere premuto il pulsante "MODE" (12) per due secondi per entrare nel menu.
- Premere brevemente il tasto di navigazione - "LEFT" (10) e "RIGHT" (11) e selezionare l'icona ⌚. Premere brevemente il tasto "MODE".
- Selezionare il formato dell'ora "24" o "AM / PM" con i tasti di navigazione.
- Per passare alla configurazione delle ore premere il pulsante "MODE". Configurare con i tasti di navigazione
- Per passare alla configurazione dei minuti premere il pulsante "MODE" di nuovo. Configurare con i tasti di navigazione
- Per uscire dal menu tenere premuto il pulsante "MODE" per 2 secondi, o aspettare 10 secondi per l'uscita automatica.

Attivazione del quadro di telecomando

Il quadro del telecomando duplica le funzioni dell'inserimento dello strumento, inversione immagine e calibratura. Ci sono tre pulsanti sul quadro:



- Pulsante "ON" (22) – Accensione / Spegnimento (Accensione – breve pressione / spegnimento – lunga pressione (2 sec)).
 - Pulsante (23) - inversione immagine.
 - Pulsante "CAL" (24) – calibratura.
- Prima di cominciare il lavoro con il quadro di telecomando è necessario attivarlo, per fare questo: Accendere l'unità e selezionare l'opzione di menu "Attivazione del quadro di telecomando" (pittogramma 📶).




- Premere "MODE" (12), appare la scritta "Wait" e comincia il conto alla rovescia, durante il quale bisogna premere tenendo premuto per due secondi un qualsiasi pulsante del quadro di telecomando.
- In caso di avvenuta attivazione accanto al pittogramma 📶 appare la scritta "Complete". Se appare la scritta Error (Errore) ripetere la procedura.
- Se il telecomando non funziona, bisogna cambiare la batteria. Svitare le viti sulla piastra posteriore del remoto, spostare il coperchio posteriore, estrarre la batteria vecchia, inserire la batteria nuova CR2032.

Riparazione automatica del pixel

L'utilizzo del Core potrebbe danneggiare alcuni pixel, evidenziando punti luminosi o scuri, con luminosità costante sul monitor, rendendo meno nitida l'immagine. Il **CORE** può riparare i pixel difettosi utilizzando il software.

- Tenere premuto il pulsante **"MODE" (12)** per due secondi per entrare nel menu.
- Premere brevemente il tasto di navigazione - **"LEFT" (10) e "RIGHT" (11)** e selezionare l'icona  premere **"MODE"**.
- Selezionare l'icona  nel menu di scelta rapida e premere **"MODE"**.
- Una croce rossa appare al centro della schermo, le coordinate (X; Y) della relativa croce, al centro del display, non vengono visualizzate. $\downarrow \begin{matrix} X=50 \\ Y=50 \end{matrix}$
- Usare il tasto di navigazione per allineare la croce su un pixel difettoso (in caso di allineamento di successo il pixel difettoso deve spegnersi). Per passare dal movimento orizzontale a quello verticale della croce, basta una breve pressione sul tasto **"MODE"**.
- Una volta allineato il centro della croce col pixel difettoso, premere il pulsante **"ON/OFF" (9)** per ripararlo.
- A operazione completata viene visualizzato un breve messaggio **"OK"** al posto delle coordinate.
- Spostare ulteriormente la croce per riparare un altro pixel difettoso. Quando si sposta la croce sull'area delle coordinate, questa appare nella parte inferiore destra del display.
- Per uscire dal menu **"Ripristino dei pixel di default"** tenere premuto il pulsante per 2 secondi.

Ripristino dei pixel di default.

- Se si desidera tornare ai pixel di default, selezionare l'icona  nel menu di scelta rapida e premere **"MODE"**.
- Opzioni **"Si"** e **"No"** appariranno sulla destra dell'icona.
- Usare il tasto di navigazione per selezionare **"Yes"** e premere **"MODE"**.
- Se si sceglie di non tornare ai pixel di default, selezionare **"No"** e premere **"MODE"**.
- Per uscire dal menu tenere premuto il pulsante **"MODE" (12)** per 2 secondi, o aspettare 10 secondi per l'uscita automatica.

Attenzione! Uno o due pixel bianchi sono ammessi sul display del cannocchiale. Questi non possono essere riparati e non sono un difetto.

Ritorno alle impostazioni di default

- Girare il controller e scegliere il punto **"Impostazioni di default"**. Premere il pulsante del controller.
- Per ritornare alle regolazioni di default girare il controller selezionare il punto **"Yes"** e premere il pulsante del controller.

Funzioni aggiuntive

- Per attivare lo zoom digitale (disponibile solo per le unità usate col monocolo), tenere premuto il pulsante **"RIGHT" (11)** per 2 secondi.
- Per attivare l'inversione del colore dell'immagine (funzioni **"White hot"** e **"Black hot"**) tenere premuto il pulsante **"LEFT" (10)** per 2 secondi. La funzione **"White hot"** (caldo bianco) permette di riprodurre gli oggetti caldi con la sfumatura più chiara, invece la funzione **"Black hot"** (caldo nero) permette di riprodurre gli oggetti caldi con la sfumatura più scura.
- Per disattivare l'apparecchio premere il pulsante **"ON/OFF" (9)** per 2 secondi.

MANUTENZIONE E CONSERVAZIONE

- Il termovisore ha un grado di protezione **IPX7** (completamente impermeabile, affondabile 1 metro, 30 minuti).
- **La garanzia si perde se lo strumento viene riparato oppure smontato!**
- Pulizia dei parti ottici esterni si fa con cautela e nel caso di necessità evidenziale. Si rimuove (togliere oppure soffiare via) la sabbia e la polvere.
- Si usa la stoffa di cotone o bastoncino di legno nonché soluzioni o alcool adatto alle pulizie di lenti. Non porre liquido sulla lente!
- Si conserva lo strumento nell'astuccio; l'ambiente è secco, ben ventilato. Non lasciare le batterie inserite se l'unità non deve essere usata per un lungo periodo. Non esporre le batterie al riscaldamento eccessivo della luce solare, fuoco o altro del genere.

RILEVAMENTO DI DIFETTI

La tabella sotto elenca eventuali guasti durante l'uso del cannocchiale. Si raccomanda di seguire esattamente la procedura di controllo e di eliminazione dei problemi come nella tabella indicata. Le verifiche nella tabella sono obbligatorie per rivelare le cause dei guasti durante l'uso dello strumento; le azioni indicate sono per eliminare i problemi. Se il problema persistesse, si raccomanda di rivolgersi al centro di assistenza.

Difetto (guasto)	Causa possibile	Riparazione
L'apparecchio non si accende.	Le batterie sono installate nel modo sbagliato.	Mettere le batterie secondo la marcatura.
	Il coperchio del vano batterie non è chiuso.	Chiudere il coperchio del vano batterie.
	Nel contenitore delle batterie o del coperchio i contatti sono ossidati o sui contatti c'è un liquido attivo chimicamente.	Pulire i contatti nel vano batterie o del coperchio.
	Le batterie sono scariche completamente o una o più batterie sono difettose.	Mettere le batterie cariche. Usare il contenitore delle batterie di riserva.
L'immagine non è chiara, con le righe verticali e il fondo irregolare.	E' necessario fare la calibratura.	Fare la calibratura dell'immagine secondo le istruzioni del paragrafo 9 "Operatività".
L'immagine è troppo scura.	Il livello di luminosità è basso.	Regolare la luminosità.
Il punto d'impatto non coincide col punto di mira.	Bisogna calibrare il display.	Calibrare il display secondo le seguenti indicazioni.

ТЕХНИЧЕСКИЕ ХАРАКТЕРИСТИКИ

SKU	76453BW	76459BW
МОДЕЛЬ	Core FX038BW	Core FX050BW
Микробопометр:		
Тип	неохлаждаемый	неохлаждаемый
Разрешение, пикселей	384x288	384x288
Размер пикселя, мкм	17	17
Частота обновления кадров, Гц	50	50
Оптические характеристики:		
Оптическое увеличение, крат		
- монокуляр	3,1	4,1
- насадки	1	1
Объектив	F38/1.2	F50/1.2
Цифровой зум, крат	2	2
Удаление выходного зрачка окуляра, мм	16	16
Диаметр выходного зрачка окуляра, мм	5	5
Горизонтальный угол поля зрения, град / м на 100 м	9,8 / 17,2	5,6 / 13,1
Диапазон фокусировки окуляра, дптр	+5/-5	+5/-5
Дистанция обнаружения животного ростом 1,7 м, м	1350	1800
Минимальная дистанция фокусировки, м	3-5	5-7
Максимальная рекомендуемая кратность дневного прибора, крат	3	5
Дисплей:		
Тип	AMOLED	
Разрешение, пикселей	640x480	640x480
Эксплуатационные характеристики:		
Напряжение питания, В	5-7.2	5-7.2
Тип батарей	2xCR123A	2xCR123A
Внешнее питание	5B (USB) / 12B (EPS)	
Макс. время работы от комплекта батарей (при t=22 °C), час	4	4
Степень защиты (режим насадки / монокуляра), код IP (IEC60529)	IPX7* / IPX5**	IPX7* / IPX5**
Рабочая температура, °C	-25 ... +50	-25 ... +50
Габаритные размеры, мм	180x65x60	190x65x60
Масса (без/с батареями), кг	0,38 / 0,46	0,4 / 0,48

* Не поддерживается при замене окуляра во время дождя

** При использовании с внешним аккумулятором

КОМПЛЕКТ ПОСТАВКИ

- Монокуляр
- Окуляр насадки
- Чехол
- Ремешок на руку
- Переходник внешнего питания
- Кабель USB
- Пульт дистанционного управления
- Инструкция по эксплуатации
- Салфетка для чистки оптики
- Гарантийный талон

Для улучшения потребительских свойств изделия в его конструкцию и программное обеспечение могут вноситься усовершенствования.

Актуальную версию инструкции по эксплуатации Вы можете найти на сайте <http://www.pulsar-vision.com>

ОПИСАНИЕ

CORE – это многофункциональный тепловизионный прибор, который может использоваться либо в качестве монокуляра, либо насадки. **CORE** в роли насадки предназначен для установки на дневной прибор и использования как ночью, так и днем в сложных погодных условиях (туман, смог, дождь).

CORE в роли монокуляра позволяет наблюдать объект на расстоянии свыше 1000 метров. В отличие от приборов на базе электронно-оптических преобразователей, тепловизионный прибор **CORE** не нуждается во внешнем источнике света и не боится “засветок”. Сферы применения приборов **CORE**: наблюдение и ориентирование в условиях ограниченной видимости, охота, поиск, спасение.

ОТЛИЧИТЕЛЬНЫЕ ОСОБЕННОСТИ

- Простая трансформация монокуляра в насадку
- Быстрая установка и снятие насадки
- Обнаружение цели на дистанции свыше 1 км
- Высококонтрастный монохромный дисплей
- Улучшенное распознавание объектов на основе технологии IRIS (программное обеспечение на основе интеллектуального алгоритма динамической эквализации)
- Цифровой зум монокуляра 2x
- Три режима калибровки - ручной, автоматический, полуавтоматический
- Три режима работы – “скалы”, “лес”, “распознавание”.
- Беспроводной пульт дистанционного управления
- Возможность питания от внешнего источника
- Стабильная работа при температуре от -25 до +50 °C
- Класс защиты IPX5 / IPX7
- Компактный размер
- Малый вес

⚡ ЭЛЕМЕНТЫ ПРИБОРА И ОРГАНЫ УПРАВЛЕНИЯ

- 1 Крышка объектива
- 2 Объектив
- 3 Кольцо фокусировки объектива
- 4 Кольцо диоптрийной настройки окуляра
- 5 Стопорное кольцо окуляра
- 6 Крышка контейнера батарей
- 7 Байонетное кольцо крепления окуляра насадки
- 8 Окуляр насадки
- 9 Кнопка “ON/OFF”
- 10 Кнопка навигации “LEFT”
- 11 Кнопка навигации “RIGHT”
- 12 Кнопка “MODE”

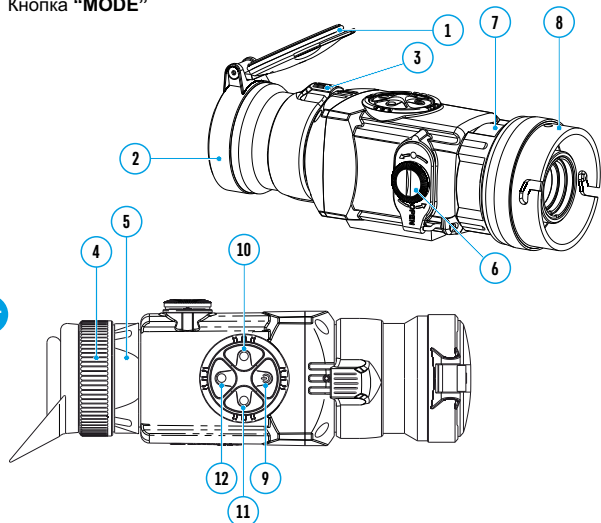


Рис. 1

	Первое короткое нажатие	Следующее короткое нажатие	Длительное нажатие	Работа в меню	
				Короткое нажатие	Длительное нажатие
“ON/OFF”	Включение прибора	Калибровка прибора	Выключение прибора	Калибровка прибора, подтверждение удаления дефектного пикселя в соответствующем пункте меню	Выключение прибора
“RIGHT”	Увеличение яркости и контраста*	Увеличение яркости и контраста*	Zoom x2 (только для монокуляра)	Навигация в меню – вправо и вверх	---
“LEFT”	Уменьшение яркости и контраста*	Уменьшение яркости и контраста*	Инверсия	Навигация в меню – влево и вниз	---
“MODE”	Активация режима регулировки контраста	Активация режима регулировки яркости	Вход в меню	Подтверждение и выход из подменю	Подтверждение и выход из пункта меню**, выход из основного и доп. меню

*в зависимости от выбора кнопкой MODE.

**в некоторых пунктах меню (настройка часов)

⚡ ПИКТОГРАММЫ МЕНЮ / СТРОКИ СТАТУСА:

▲▲	Режим работы “Скалы”
▲	Режим работы “Лес”
👁	Режим работы “Распознавание”
M	Ручной режим калибровки
H	Полуавтоматический режим калибровки
A	Автоматический режим калибровки
🕒	Режим настройки часов
🖼	Регулировка яркости пиктограмм меню
x2	Цифровой зум x2
+	Режим удаления дефектных пикселей
✕	Крест для удаления дефектных пикселей
☀/🌑	Регулировка уровня яркости / контраста
🖼	Режим инверсии изображения: “White hot”/“Black hot”
🔄	Возврат к заводской карте пикселей
🔋	Индикатор разряда батарей

⚡ ОСОБЕННОСТИ ЭКСПЛУАТАЦИИ

Прибор предназначен для длительного использования. Для обеспечения долговечности и полной работоспособности необходимо придерживаться следующих рекомендаций:

- Перед началом эксплуатации прибора убедитесь, что Вы установили и настроили прибор согласно инструкциям раздела 8 "Эксплуатация".
- Храните прибор с закрытой крышкой объектива и в чехле.
- Выключите прибор после использования.
- **Самостоятельно ремонтировать и разбирать гарантийный прибор запрещается!**
- Прибор может эксплуатироваться в широком диапазоне температур. Если прибор эксплуатировался на холоде и был внесен в теплое помещение, не вынимайте его из чехла в течение не менее 2-3 часов, это позволит предотвратить появление конденсата на внешних оптических элементах.
- Для обеспечения безотказной работы, предупреждения и устранения причин, вызывающих преждевременный износ или выход из строя узлов и деталей, необходимо своевременно проводить технический осмотр и обслуживание прибора.
- **ВНИМАНИЕ! Запрещается направлять объектив прибора на интенсивные источники тепла, такие как солнце. Это может вывести электронные компоненты прибора из строя. На повреждения, вызванные несоблюдением правил эксплуатации, гарантия не распространяется.**

⚡ УСТАНОВКА БАТАРЕЙ

- Поверните ручку крышки контейнера батарей (6) против часовой стрелки до упора и снимите ее.
- Установите две батареи типа CR123A в соответствии с маркировкой на крышке контейнера батарей и внутри контейнера.
- Установите крышку контейнера батарей на место и надавите на нее до щелчка.

Убедитесь в том, что крышка закрылась с обеих сторон.

- Уровень заряда отображается в строке статуса (■).
- При полном разряде батарей в строке статуса мигает пиктограмма □.

Внимание: не используйте перезаряжаемые аккумуляторы, т.к. при их использовании индикация заряда отображается неверно и возможно внезапное отключение прибора во время работы.

Примечание: не используйте разнотипные элементы питания или батареи с разным уровнем заряда.

Открыть:

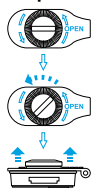


Рис. 2

⚡ ВНЕШНЕЕ ПИТАНИЕ

Переходник внешнего питания (входит в комплект) позволяет использовать в качестве внешнего источника питания:

- power bank (выходное напряжение 5В, штекер USB) либо
- аккумуляторную батарею EPS3I или EPS5 (выходное напряжение 12В; штекер стандарта 2,1 мм).

Порядок подключения:

- Откройте и снимите крышку контейнера батарей (см. раздел 7).
- Установите переходник внешнего питания в контейнер батарей монокуляра (см.рис.3). Убедитесь в том, что защелки (С) адаптера защелкнулись с обеих сторон.
- Закрепите крышку (6) на адаптере (см. рис.3).
- Подключите Ваш power bank к разъему USB (5V) либо блок питания EPS3I/EPS5 к разъему внешнего питания (12V).
- Включите прибор кратким нажатием кнопки "ON/OFF" (9).
- Для того чтобы извлечь переходник внешнего питания, нажмите на защелки с обеих сторон и достаньте его.

Примечание. При использовании собственного источника питания в штекере питания, подключаемом к прибору, центральный контакт должен быть "+".

Возможная маркировка на штекере или источнике питания -- ⚡ -- +

Внимание! При работе от источника внешнего питания индикация разряда батареи (пиктограмма ■) не отражает актуальный уровень заряда.

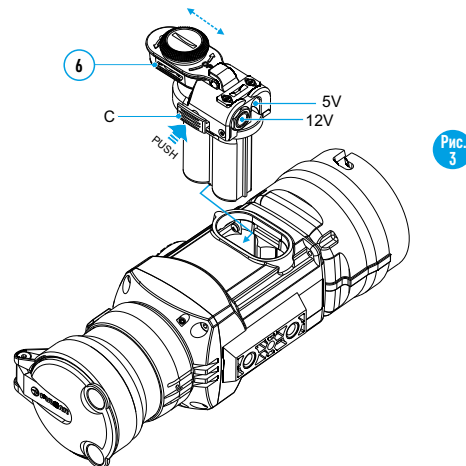


Рис. 3

ЭКСПЛУАТАЦИЯ

Прибор **CORE** может использоваться в качестве монокуляра или насадки на дневной прибор. Оригинальная конструкция позволяет быстро трансформировать монокуляр в насадку и обратно.

8.1. CORE в качестве монокуляра.

Подробное описание использования монокуляра **CORE** находится в разделе 9 “РАБОТА С ПРИБОРОМ. КАЛИБРОВКА”.

8.2. CORE в качестве насадки.

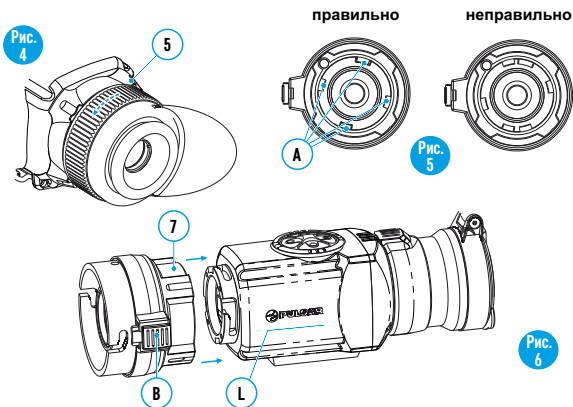
CORE в качестве насадки предназначен для использования дневного прибора как ночью, так и днем в сложных погодных условиях (туман, смог, дождь).

Для трансформации монокуляра в насадку и установки на дневной прибор необходимо выполнить описанные ниже инструкции:

Этап 1. Установка окуляра насадки на прибор CORE.

- Поверните стопорное кольцо (5) окуляра против часовой стрелки до щелчка и снимите окуляр (рис. 4).
- Установите окуляр насадки на прибор, для этого:

- Убедитесь в том, что выступы (А) окуляра насадки находятся над нижними выступами (рис. 5).
- Позиционируйте окуляр насадки таким образом, чтобы защелка (В) находилась параллельно логотипу Pulsar (L) на корпусе монокуляра (рис. 6).
- Вставьте окуляр насадки в корпус прибора до упора и зафиксируйте его, повернув стопорное байонетное кольцо (7) по часовой стрелке.



Этап 2. Установка крышки-адаптера на дневной прибор (с использованием металлических “Крышек-адаптеров DN42/50/56 мм” (SKU#79124/79125/79126))

- Подберите крышку-адаптер с вкладышем (приобретается отдельно) нужного диаметра в зависимости от наружного диаметра объектива Вашего дневного прибора.
- Обозначение 42 мм / 50 мм / 56 мм в наименовании адаптера означают световой диаметр объектива дневного прибора.
- Измерьте внешний диаметр корпуса объектива Вашего дневного прибора и выберите вкладыш, руководствуясь данными в таблицах.

Пример. Если световой диаметр Вашего дневного прибора составляет 42 мм, а измеренный внешний диаметр объектива 47,2 мм, Вам необходимо использовать вкладыш, на котором нанесена маркировка “Ø 47”

Таблица подбора вкладышей для дневных приборов

Световой диаметр объектива дневного прибора, мм	Внешний диаметр корпуса объектива дневного прибора, мм	Внутренний диаметр вкладыша, мм
42	45,5	45,5
	46	46
	46,5	46,5
	46,7-47,6	47
	47,7-48,6	48
	48,7-49,6	49
	49,7-50,6	50
50	51,6	51,6
	53,4	53,4
	54,7-55,6	55
	55,7-56,6	56
	56,7-57,6	57
	57,7-58,6	58
	58,7-59,6	59
56	59,7-60,6	60
	60,7-61,6	61
	61,7-62,6	62
	62,7-63,6	63
	63,7-64,6	64
	64,7-65,6	65

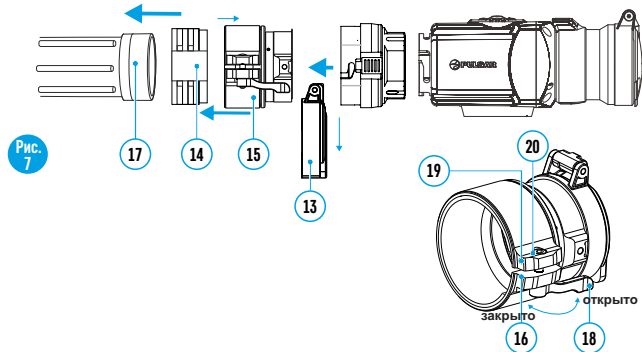
- Снимите крышку (13) с адаптера, повернув ее против часовой стрелки.
- Установите вкладыш (14) в адаптер (15) до упора (рис. 4) **Вкладыш должен устанавливаться суженной частью вперед!**
- Установите до упора адаптер с вкладышем на объектив (17) дневного прибора (рис. 7).
- Переведите рычаг (18) из первоначального положения “открыто” в положение “закрыто” (рис. 7). Проверьте, плотно ли адаптер прилегает к объективу.

В случае наличия люфта сделайте следующее:

- Ослабьте шестигранным ключом (S=2mm) стопорный винт (19).
- Затяните винт (20) шестигранным ключом (S=4mm) с усилием, необходимым для обеспечения плотной посадки адаптера на объективе.

- Затяните стопорный винт (19).

Перед установкой крышки-адаптера рекомендуется обезжирить корпус объектива дневного прибора и внутреннюю поверхность вкладыша.



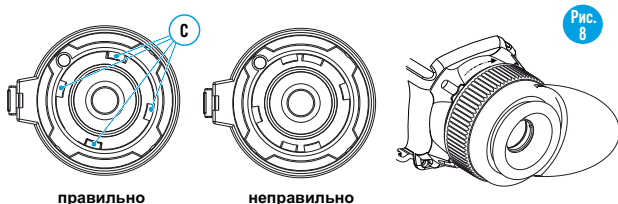
Этап 3. Установка прибора CORE на дневной прибор

- Плотно вставьте прибор **CORE** с установленным окуляром насадки в крышку-адаптер таким образом, чтобы штифты в корпусе адаптера вошли в пазы окуляра насадки. Поверните прибор **CORE** против часовой стрелки до щелчка.
- С помощью шестигранного ключа подожмите винт (20), чтобы при повороте рычага адаптер с вкладышем плотно прилегали к объективу дневного прибора.

Установка окуляра на прибор CORE

- Для установки окуляра на монокуляр убедитесь в том, что верхние выступы (С) окуляра совмещены с нижними выступами желтого цвета, (рис. 8).
- Вставьте окуляр в корпус прибора и поверните стопорное кольцо (5) окуляра по часовой стрелке.

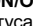
Убедитесь в том, что линия горизонта дневного прибора находится параллельно нижнему/верхнему краю дисплея монокуляра CORE.



правильно

неправильно

⚡ РАБОТА С ПРИБОРОМ. КАЛИБРОВКА.

Включите прибор нажатием кнопки “**ON/OFF**” (9). В случае разряда батарей пиктограмма  в строке статуса начнет мигать.

- Произведите калибровку изображения. Калибровка позволяет выровнять температурный фон микроболометра и устранить недостатки изображения.
- Доступны три режима калибровки: ручной (**M**), полуавтоматический (**H**) и автоматический (**A**).

Ручной (бесшумный) режим калибровки

- Откройте крышку (1) объектива.
- Включите прибор кратким нажатием кнопки “**ON/OFF**” (9), нажмите и удерживайте кнопку “**MODE**” (12) в течение двух секунд для входа в меню.
- Кнопками навигации “**LEFT**” (10) и “**RIGHT**” (11) выберите пункт **Cal**. Кнопками навигации выберите режим “**M**”. Нажмите кнопку “**MODE**” для подтверждения. Для выхода из меню нажмите и удерживайте кнопку “**MODE**” в течение двух секунд или подождите 10 секунд для автоматического выхода.
- Закройте крышку объектива. Для калибровки кратко нажмите кнопку “**ON/OFF**”. Изображение застынет на 1-2 секунды. Затем откройте крышку объектива. Калибровка произведена.
- В случае появления на дисплее артефактов (застывшего изображения, вертикальных полос и т.п.) повторно произведите калибровку.

Полуавтоматический режим калибровки

Включите прибор, откройте крышку объектива.

- Нажмите и удерживайте кнопку “**MODE**” (12) в течение двух секунд для входа в меню.
- Кнопками навигации “**LEFT**” (10) и “**RIGHT**” (11) выберите пункт **Cal**.
- Кнопками навигации выберите режим “**H**”. Нажмите кнопку “**MODE**” для подтверждения.
- Для калибровки кратко нажмите кнопку “**ON/OFF**”. Изображение застынет на 1-2 секунды, и Вы услышите звук внутренней шторки. Калибровка произведена.

Автоматический режим калибровки

При использовании автоматического режима прибор калибруется самостоятельно согласно программному алгоритму. Сенсор закрывается внутренней шторкой автоматически. В данном режиме допускается калибровка прибора пользователем с помощью кнопки “**ON/OFF**”.

- Включите прибор, откройте крышку объектива.
- Нажмите и удерживайте кнопку “**MODE**” в течение двух секунд для входа в меню.
- Кнопками навигации “**LEFT**” (10) и “**RIGHT**” (11) выберите пункт **Cal**.
- Кнопками навигации выберите режим “**A**”. Нажмите кнопку “**MODE**” для подтверждения.
- В момент автоматической калибровки изображение застынет на 1-2 секунды, и Вы услышите звук внутренней шторки.

Примечание: время между калибровками зависит от нагрева сенсора. При включении прибора калибровка может происходить чаще.

- Откройте крышку объектива (1).
- Настройте резкое изображение пиктограмм в строке статуса вращением кольца диоптрийной настройки окуляра (4).
- Для регулировки яркости дисплея кратко нажимайте кнопки навигации **“LEFT” (10)** (уменьшение) и **“RIGHT” (11)** (увеличение). Соответствующая степень яркости (от 0 до 20) отобразится рядом с пиктограммой яркости: ☀: в правой верхней части дисплея.
- Для перехода к регулировке контраста дисплея коротко нажмите кнопку **“MODE” (12)** (появится пиктограмма 🎯). Нажимайте кнопки навигации **“LEFT” (10)** (уменьшение) и **“RIGHT” (11)** (увеличение) для выбора степени контраста (от 0 до 20). Соответствующая степень контраста отобразится рядом с пиктограммой контраста в правой верхней части дисплея.
- Выберите теплый неподвижный объект наблюдения, удаленный на некотором расстоянии, например, 100 м.
- Вращая кольцо фокусировки объектива (3), добейтесь наилучшего качества изображения.
- После данной настройки, независимо от дистанции и других условий, вращать кольцо диоптрийной подстройки окуляра не требуется. Настраивайте изображение только кольцом фокусировки объектива.

Дополнительные функции

- Для активации цифрового зума 2x (доступен только при использовании прибора в качестве монокуляра) нажмите и удерживайте кнопку **“RIGHT” (11)** в течение двух секунд. В строке статуса появится пиктограмма **x2**.
- Для активации инверсии цвета изображения (функции **“White hot”** и **“Black hot”**) нажмите и удерживайте кнопку **“LEFT” (10)** в течение двух секунд. При использовании функции **“White hot”** (белый горячий) теплые объекты отображаются более светлыми оттенками; **“Black hot”** (черный горячий) - теплые объекты отображаются более темными оттенками.
- Для выключения прибора нажмите и удерживайте кнопку **“ON/OFF” (9)** в течение двух секунд.

⚡ МЕНЮ

Функционал меню включает в себя следующие пункты:

- Режим работы **“Mode”** Mode
- Выбор режима калибровки Cal
- Регулировка яркости пиктограмм меню ☀
- Настройка часов ⌚
- Авторизация ПДУ 📶
- Удаление дефектных пикселей 🗑



Строка статуса

В строке статуса отображается следующая информация:

- Режим работы (**“Скалы”**, **“Лес”**, **“Распознавание”**)
- Режим калибровки (ручной, полуавтоматический, автоматический)
- Включено увеличение x2 (**“Zoom”**)
- Включена функция **“Инверсия”**
- Текущее время
- Текущий заряд батарей

Режимы работы

Имеется три автоматических режима работы тепловизора – **“Скалы”** ▲ (высокий контраст), **“Лес”** ▲ (низкий контраст) и **“Распознавание”** 🎯 (улучшенная детализация).

Каждый из режимов включает в себя оптимальное сочетание параметров (яркость, контраст, усиление сигнала и т.д.) для обеспечения наилучшего качества изображения в конкретных условиях наблюдения.

- Нажмите и удерживайте кнопку **“MODE” (12)** в течение двух секунд, выберите режим кнопками навигации **“LEFT” (10)** и **“RIGHT” (11)**.
- Подтвердите выбор коротким нажатием кнопки **“MODE”**.
- Пиктограмма выбранного режима отображается в строке статуса.

Выбор режима калибровки

См. раздел 8 “Эксплуатация”.

Регулировка яркости пиктограмм

- Нажмите и удерживайте кнопку **“MODE” (12)** в течение двух секунд для входа в меню.
- Кнопками навигации **“LEFT” (10)** и **“RIGHT” (11)** выберите пиктограмму ☀. Нажмите кнопку **“MODE”**.
- Кнопками навигации выберите уровень яркости пиктограмм меню от 1 до 10.
- Для выхода из меню нажмите и удерживайте кнопку **“MODE”** в течение двух секунд или подождите 10 секунд для автоматического выхода.

Настройка часов

- Нажмите и удерживайте кнопку **“MODE” (12)** в течение двух секунд для входа в меню.
- Кнопками навигации **“LEFT” (10)** и **“RIGHT” (11)** выберите пиктограмму ⌚. Нажмите кнопку **“MODE”**.
- Кнопками навигации перемещайте курсор для выбора формата времени **“24”** либо **“AM/PM”**.
- Нажмите кнопку **“MODE”** для перехода к настройке значения часа. Настройте кнопками навигации. Нажмите кнопку **“MODE”** для перехода к настройке значения минут. Настройте кнопками навигации.
- Для выхода из меню нажмите и удерживайте кнопку **“MODE”** в течение двух секунд или подождите 10 секунд для автоматического выхода.

Авторизация пульта дистанционного управления

Беспроводной пульт дистанционного управления дублирует функции включения прибора, инверсии изображения и калибровки.

На пульте имеется три кнопки:

- Кнопка **“ON” (22)** - включение/выключение прибора (включения – краткое нажатие/выключение – долгое нажатие (2 сек)).

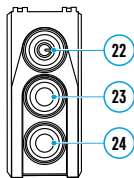


Рис. 9

- Кнопка **“23”** - инверсия изображения.
- Кнопка **“CAL” (24)** – калибровка. Перед началом работы с ПДУ его необходимо активировать, для этого:
 - Включите прибор и выберите пункт меню **“Активация ПДУ”** (пиктограмма).
 - Нажмите кнопку **“MODE” (12)**, появится сообщение **“Wait”** и начнется обратный отсчет времени, в течение которого нажмите и удерживайте в течение двух секунд любую кнопку ПДУ.
 - В случае успешной активации возле пиктограммы появится сообщение **“Complete”**. Пульт активирован и готов к работе.
 - Если ПДУ не работает, замените батарею. Для этого открутите винты на тыльной панели ПДУ, снимите заднюю крышку, извлеките старую и вставьте новую батарею CR2032.

Удаление дефектных пикселей

Во время эксплуатации прибора на сенсоре возможно появление дефектных (т.н. “битых”) пикселей, т.е. ярких либо темных точек с постоянной яркостью, видимых на изображении. Приборы **CORE** предоставляют возможность удалить дефектные пиксели на сенсоре (микроболометре) программным способом.

- Нажмите и удерживайте кнопку **“MODE” (12)** в течение двух секунд для входа в меню.
- Кнопками навигации **“LEFT” (10)** и **“RIGHT” (11)** выберите пиктограмму и нажмите кнопку **“MODE”**.
- В появившемся подменю выберите пиктограмму и нажмите кнопку **“MODE”**.
- В центре дисплея появится крест , на месте всплывающих иконок появятся координаты (X;Y) $\pm \begin{matrix} X_{\pm 50} \\ Y_{\pm 50} \end{matrix}$ креста относительно центра дисплея, пиктограммы меню пропадут с дисплея.
- Кнопками навигации перемещайте крест таким образом, чтобы совместить центр креста с дефектным пикселем (дефектный пиксель должен погаснуть). Кратковременное нажатие кнопки **“MODE”** позволяет переключать направление движения креста с горизонтального на вертикальное.
- После совмещения центра креста с дефектным пикселем кратко нажмите кнопку **“ON/OFF” (9)** для удаления дефектного пикселя.
- В случае успешного выполнения удаления рядом с координатами появится кратковременное сообщение **“OK”**.
- Далее, перемещая крест, можно удалить следующий дефектный пиксель. При перемещении креста-курсора в область вывода на дисплей координат, последние перемещаются в правую нижнюю часть дисплея.
- Для выхода из пункта **“Удаление дефектных пикселей”** нажмите и удерживайте кнопку **“MODE”** в течение двух секунд.

Возврат к заводской “карте пикселей”.

Если Вы желаете вернуться к заводской **“карте пикселей”** (т.е. вернуть все ранее удаленные дефектные пиксели в исходное состояние), выберите в появившемся подменю пиктограмму и нажмите кнопку **“MODE” (12)**.

- Справа от пиктограммы появятся пункты **“Yes”** и **“No”**.
- Кнопками навигации выберите **“Yes”** и нажмите кнопку **“MODE”**.
- Если Вы решили не возвращаться к заводской **“карте пикселей”**, выберите **“No”** и нажмите кнопку **“MODE”**.
- Для выхода из меню нажмите и удерживайте кнопку **“MODE”** в течение двух секунд или подождите 10 секунд для автоматического выхода.

Внимание! На дисплее прибора допускается наличие 1-2 пикселей в виде ярких белых или черных точек, которые не удаляются и дефектом не являются.

УХОД И ХРАНЕНИЕ

- Прибор в режиме монокуляр имеет степень защиты IPX7 (защита от проникновения воды – погружение в воду на глубину до 1 метра в течение 30 минут; в режиме насадки IPX5 – защита от проникновения водяных струй).

Самостоятельно ремонтировать и разбирать прибор запрещается!

- Наружную чистку оптических деталей производите очень аккуратно и только в случае необходимости. Вначале осторожно удалите (смахните или сдуйте) с оптической поверхности пыль и песок, после осуществляйте чистку. Пользуйтесь чистой хлопчатобумажной салфеткой (ватой и деревянной палочкой), специальными средствами для линз с многослойными покрытиями.
- Храните прибор только в чехле, в сухом, хорошо вентилируемом помещении. При длительном хранении извлеките батареи. Батареи не должны подвергаться чрезмерному нагреву от солнечного света, огня или подобных источников.

УБЕЖДЕНИЕ НЕИСПРАВНОСТЕЙ

В таблице приведен перечень проблем, которые могут возникнуть при эксплуатации прибора. Произведите рекомендуемую проверку и исправление в порядке, указанном в таблице. При наличии дефектов, не перечисленных в таблице, или при невозможности самостоятельно устранить дефект, прибор следует вернуть для ремонта.


неисправность	возможная причина	исправление
Тепловизор не включается.	Батареи установлены неправильно.	Установите батареи в соответствии с маркировкой.
	Неплотно закрыта крышка контейнера батарей.	Плотно закройте крышку контейнера батарей.
	Окислены контакты в контейнере батарей или на крышке контейнера батарей - “потекли” батареи или на контакты попала химически активная жидкость.	Очистите контакты внутри контейнера батарей или на крышке контейнера батарей.
	Батареи полностью разряжены или одна из батарей вышла из строя.	Установите новые батареи.

неисправность	возможная причина	исправление
Изображение нечеткое, с вертикальными полосами и неравномерным фоном.	Необходима калибровка изображения.	Проведите калибровку изображения согласно инструкциям раздела 8 “Эксплуатация” .
Изображение слишком темное.	Установлен низкий уровень яркости.	Отрегулируйте яркость кнопками навигации.
Точка попадания не совпадает с точкой прицеливания.	Требуется калибровка дисплея.	Произведите калибровку дисплея в соответствии с инструкцией (см. ниже).
Качество изображения окружающей среды при использовании прибора в условиях пониженных температур хуже, чем в условиях положительных температур.	В условиях положительных температур объекты наблюдения (окружающая среда, фон) за счет различной теплопроводности нагреваются по-разному, за счет чего достигается высокий температурный контраст и соответственно качество изображения, формируемое тепловизором, будет выше. В условиях низких температур объекты наблюдения (фон), как правило, охлаждаются до примерно одинаковых температур, за счет чего существенно снижается температурный контраст, качество изображения (детализация) ухудшается. Это особенность функционирования тепловизионных приборов.	

Калибровка дисплея

- Нажмите одновременно и удерживайте в течение двух секунд кнопки **“LEFT” (10)** и **“MODE” (12)** либо кнопки **(23)** и **(24)** ПДУ для перехода в дополнительное меню. Кнопками **“LEFT” (10)** или **“RIGHT”(11)** выберите пункт  **“Калибровка”** Нажмите **“MODE”** для подтверждения.
- На дисплее появится вспомогательное перекрестие в ограничительной рамке  и символы $1 \rightarrow$.
- Совместите пристрелочное перекрестие с центром метки прицела.
- Для перемещения рамки с перекрестием по горизонтали используйте кнопки **“LEFT”** или **“RIGHT”** (либо **(22)**,**(24)** на ПДУ). Перемещение осуществляется как при кратковременном, так и при длительном нажатии на кнопки. Для переключения направления движения с горизонтального на вертикальный нажмите кнопку **“MODE”**.
- Удерживайте кнопку **“MODE”** (или кнопку **(23)** ПДУ) нажатой в течение двух секунд. Возле пиктограммы появится **“2”** и стрелки со значениями координат X и Y $2 \begin{matrix} X=-02 \\ Y=06 \end{matrix}$
- Удерживая метку прицела в точке прицеливания, переместите пристрелочное перекрестие в точку попадания кнопками **“LEFT”** или **“RIGHT”** (или кнопками **(22)**;**(24)** ПДУ). Для переключения направления движения с горизонтального на вертикальный нажмите кнопку **“MODE”** либо кнопку **(23)** ПДУ. Для перемещения пристрелочного перекрестия по координатам X и Y нажимайте кнопки **“LEFT”** или **“RIGHT”** либо кнопки ПДУ **(22)** и **(24)**. *Диапазон перемещения пристрелочного креста относительно ограничительной рамки по горизонтали и вертикали: +/-10.*

- В результате пристрелочное перекрестие должно совместиться с точкой попадания, при этом **метка прицела должна удерживаться в точке прицеливания**.
- Для сохранения настроек пристрелки удерживайте кнопку **“MODE”** либо кнопку **(23)** ПДУ в течение двух секунд - на дисплее появится сообщение **“OK”** и произойдет выход из меню; изображение центра мишени совместится с центром перекрестия дневного прицела.

Для возврата к заводским настройкам выберите **“Yes”** в пункте меню  **“Сброс к заводским настройкам”**. Сбрасываются следующие настройки:

- **Режим работы – “Лес”;**
- **Яркость графики меню – 5;**
- **Увеличение – x1;**
- **Регулировка яркости – 10;**
- **Режим калибровки – автоматический;**
- **Калибровка дисплея – координаты X=0, Y=0;**
- **Инверсия – выключена;**
- **Регулировка контраста – 6.**

Примечание. Доступ к дополнительному меню (пункты **“Калибровка дисплея”** и **“Сброс к заводским настройкам”**) возможен только при использовании прибора в режиме насадки.



GB

- i** Environment protection first!
Your appliance contains valuable materials which can be recovered or recycled.
- Leave it at a local civic waste collection point.

FR BE

- i** Participons à la protection de l'environnement!
Votre appareil contient de nombreux matériaux valorisables ou recyclables.
- Confiez celui-ci dans un point de collecte ou à défaut dans un centre service agréé pour que son traitement soit effectué.

DE AU

- i** Schützen Sie die Umwelt!
Ihr Gerät enthält mehrere unterschiedliche, wiederverwertbare Wertstoffe.
- Bitte geben Sie Ihr Gerät zum Entsorgen nicht in den Hausmüll, sondern bringen Sie es zu einer speziellen Entsorgungsstelle für Elektrokleingeräte (Wertstoffhof).

NL

- i** Samen het milieu beschermen!
Uw toestel bevat meerdere recycleerbare materialen.
- Breng deze naar een containerpark of naar een erkend service center, bevoegd voor de recycling.

ES

- i** ¡Participe en la conservación del medio ambiente!
Su electrodoméstico contiene materiales recuperables y/o reciclables.
- Entréguelo al final de su vida útil, en un Centro de Recogida Específico o en uno de nuestros Servicios Oficiales Post Venta donde será tratado de forma adecuada.

IT

- i** Protezione dell'ambiente!
Il vostro apparecchio contiene materiale che può essere recuperato o riciclato.
- Portarlo ad un punto di raccolta autorizzato.

GR

- i** Ας συμβάλλουμε κι εμείς στην προστασία του περιβάλλοντος!
Η συσκευή σας περιέχει πολλά αξιοποιήσιμα ή ανακυκλώσιμα υλικά.
- Παραδώστε τη παλιά συσκευή σας σε κέντρο διαλογής ή ελλείψει τέτοιου κέντρου σε εξουσιοδοτημένο κέντρο σέρβις το οποίο θα αναλάβει την επεξεργασία της.

DK

- i** Vi skal alle være med til at beskytte miljøet!
Apparatet indeholder mange materialer, der kan genvindes eller genbruges.
- Bring det til et specialiseret indsamlingssted for genbrug eller et autoriseret serviceværksted, når det ikke skal bruges mere.

SF

- i** Huolehtikaamme ympäristöstä!
i Laitteesi on varustettu monilla arvokkailla ja kierrätettävillä materiaaleilla.
- Toimita laitteesi keräyspisteeseen tai sellaisen puuttuessa vaikka valtuutettuun huoltokeskukseen, jotta laitteen osat varmasti kierrätetään.

