

PSP RING ADAPTERS Manual

[Description](#)

[Package contents](#)

[Mounting](#)

[Selection table for optical device inserts](#)

[Recommendations for using the PSP ring adapter](#)

[Legal compliances and disclaimers](#)

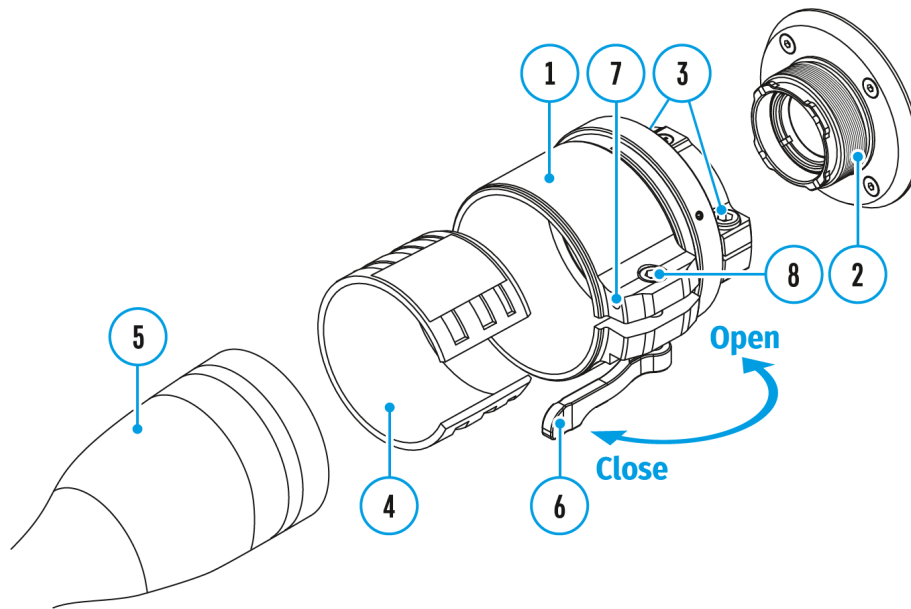
Description

Ring Adapters PSP-42, PSP-50 and PSP-56 are designed to mount **Krypton** and **Proton** devices on the lenses of various daylight devices.

Package contents

- PSP Ring Adapter
 - Adapter inserts
 - Hex keys
 - Double-sided tape
 - User manual
-

Mounting



1. Remove the protective cover from the eyepiece of the front lens mounted module.
2. Select the Ring Adapter **(1)** with the insert **(4)** of the desired diameter depending on the outer diameter of the lens of your optical device **(5)**. The designation 42 mm / 50 mm / 56 mm in the name of the adapter means the lens diameter of the optical device.
3. Screw together the Ring Adapter **(1)** and the front lens mounted module along the threads of the mounting area **(2)** until it stops. Then untighten a little (no more than one turn) so that the lever **(6)** is on the right side (see Figure).
4. Evenly tighten the screws **(3)** until the ball joint grips in the Ring Adapter **(1)**.
5. Apply 2-3 strips of double-sided tape to the outer surface of the insert of your choice **(4)**.
6. Push the insert **(4)** of your choice into the Ring Adapter **(1)** until it stops.
7. Move the lever **(6)** to the OPEN position.
8. Before installing the Ring Adapter **(1)** onto the optical device, it is recommended to degrease the lens body of the optical device **(5)**.

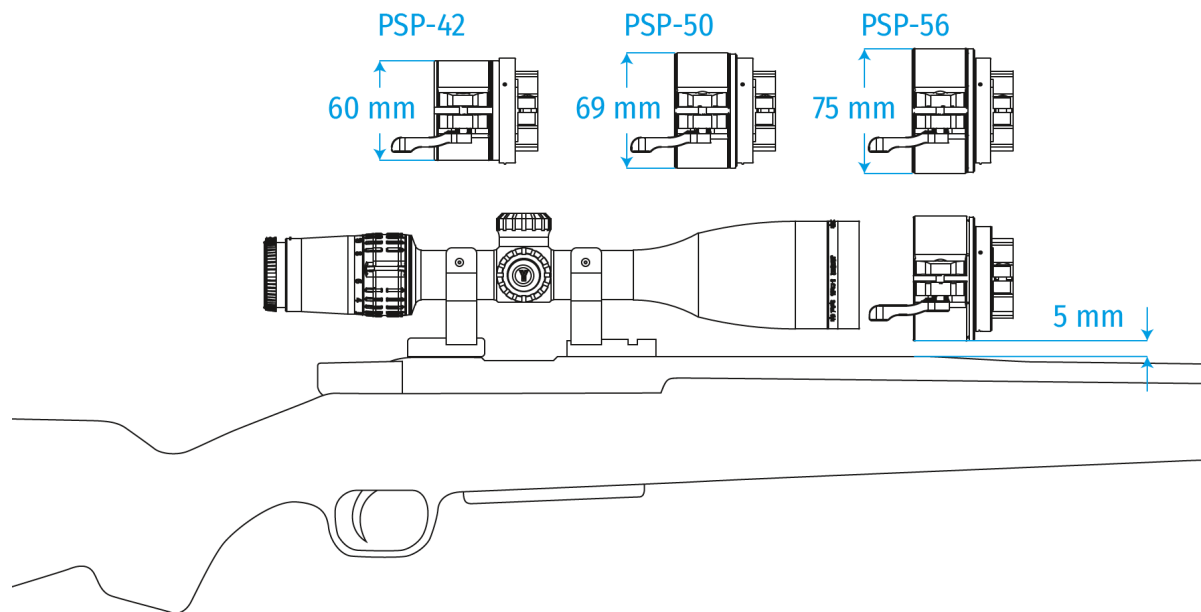
9. Mount the Ring Adapter with the insert onto the lens of the daylight optical device (5) as far as it will go.
10. If the Ring Adapter (1) with the insert (4) selected according to the table cannot be mounted onto the lens (5), follow the steps below:
 - Loosen the locking screw (7) with a 2mm Allen key.
 - Untighten the screw (8) with a hex wrench (S = 4mm) until the Ring Adaptor with the insert can be mounted onto the lens (5).
11. Move the lever (6) from its initial OPEN position to the CLOSE position.
12. Loosen the locking screw (7) with a 2mm Allen key, if it hasn't been done before.
13. Tighten the screw (8) with an Allen key (S = 4mm). The clamping force should be 1.5-2 Nm (use a torque screwdriver) to ensure the lever is correctly tightened (6), while the Ring Adapter with the front lens mounted module should not move relative to the body of the optical device (5). If necessary, tighten or loosen the screw (8) to operate the lever (6) in the best way possible.
14. Tighten the locking screw (7) as far as it will go.
15. Turn on the front lens mounted module.
16. Align the image center on the display with the image center of the optical scope by carefully tilting the front lens mounted module.
17. Align top and bottom display boundaries parallel to the horizontal axis by turning the front lens mounted module clockwise or counterclockwise.
18. Having reached the best possible position of the front lens mounted module, tighten the two screws (3). The clamping force should be 6.5-7.5 N·m (use a torque screwdriver to check).

Selection table for optical device inserts

| | | |
|--------------------|--|---|
| Ring Adapter model | The internal diameter of the insert needs to match the outer diameter of the objective lens housing of the daylight optical device it is being installed on. | |
| | Insert internal | Suitable for lens housing of daylight optical devices with an |

| | diameter, mm | outer diameter of, mm |
|------------------------------|---------------------|------------------------------|
| PSP Ring Adapter 42 mm | 45.5 | 45.5 |
| | 46 | 46 |
| | 46.5 | 46.5 |
| | 47 | 46.7-47.6 |
| | 48 | 47.7- 48.6 |
| | 49 | 48.7-49.6 |
| | 50 | 49.7-50.6 |
| PSP Ring Adapter 50 mm | 51.6 | 51.6 |
| | 53.4 | 53.4 |
| | 55 | 54.7-55.6 |
| | 56 | 55.7-56.6 |
| | 57 | 56.7-57.6 |
| | 58 | 57.7-58.6 |
| | 59 | 58.7-59.6 |
| PSP Ring Adapter 56 mm | 60 | 59.7-60.6 |
| | 61 | 60.7-61.6 |
| | 62 | 61.7-62.6 |
| | 63 | 62.7-63.6 |
| | 64 | 63.7-64.6 |
| | 65 | 64.7-65.6 |

Recommendations for using the PSP ring adapter



When installing the PSP Ring Adapter on the riflescope, the gap between the adapter and the rifle body must be at least 5 mm.

If the gap is insufficient, use higher rings to mount the riflescope.

Legal compliances and disclaimers

Updates of the Product. The manufacturer reserves the right at any time, without mandatory prior notice to the Customer, to make changes to the package contents (subject to the applicable laws, if any), design and characteristics that do not impair the quality of the Product.

Limitation of Liability. Subject to mandatory applicable laws and regulations: manufacturer will not be liable for any claims, actions, suits, proceedings, costs, expenses, damages or liabilities (if any), arising out of the use of this product. Operation and use of the product are the sole responsibility of the Customer. Manufacturer's sole undertaking is limited to providing the product(s) and related services in accordance with the terms and conditions of concluded transactions, including provisions established in warranty. The provision of products sold and services performed by Manufacturer to the Customer shall not be interpreted, construed, or regarded, either expressly or implied, as being for the benefit of or creating any obligation toward any third party (other than Distributor, Dealer, Buyer). Manufacturer's liability hereunder for damages, regardless of the form or action, shall not exceed the fees or other charges paid to Manufacturer for the product(s) and/or service(s).

MANUFACTURER WILL NOT BE LIABLE FOR LOST REVENUES OR INDIRECT, SPECIAL, INCIDENTAL, CONSEQUENTIAL, EXEMPLARY, OR PUNITIVE DAMAGES, EVEN IF THE MANUFACTURER KNEW OR SHOULD HAVE KNOWN THAT SUCH DAMAGES WERE POSSIBLE AND EVEN IF DIRECT DAMAGES DO NOT SATISFY A REMEDY.

For technical support please contact support@pulsar-vision.com.

Answers to frequently asked questions about the devices can also be found in the **FAQ** section.