

# **PULSAR ULTRA-XS IR ILLUMINATORS Manual**

**Description**

**Features**

**Specifications**

**Specifications**

**Package contents**

**Installing the IR illuminator**

**Powering on and adjusting the IR illuminator**

**Removing the IR illuminator**

**Precautions**

**Maintenance**

**Troubleshooting**

The illuminator is not working

Uneven light emission of IR spot

**Legal compliances and disclaimers**

# Description

Attachable and interchangeable **Pulsar Ultra-X850S/-X940S** Infrared Illuminators are designed for use with Digisight Ultra N450/ N455, Digisight Ultra N450/N455 LRF digital riflescopes and other compatible Pulsar digital devices.

The IR Illuminators provide additional infrared (IR) illumination during observation with night vision devices in low light conditions (no moon, night, thick cloud etc.) and ensure across the whole field of view.

The design of the illuminator provides the ability to adjust the position of the light spot in the field of view.

**Pulsar Ultra-X940S** operates in an invisible range providing covert observation.

---

# Features

**Pulsar Ultra-X850S/-X940S** illuminators make it possible to:

- identify the observed object;
- see the selected object in detail;
- increase the observation range;
- adjust the power of the illuminator depending on the observation conditions;
- adjust the position of the light spot in the field of view.

**Pulsar Ultra-X850S/-X940S** illuminators have a high-power IR diode providing a better observer-target range.

---

# Specifications

| <b>Model</b>   | <b>X850S</b>  |
|--|---|
| SKU  | 79079   |
| Type   | LED   |
| Wavelength, nm   | 850   |
| Lens diameter, mm                                      | 28  |
| Optical power of IR illuminator, mW                    | Up to 800   |
| Beam divergence angle, degrees                         | 13  |
| The possibility of spot alignment in the field of view | Yes   |
| Operating temperature range, °C (°F)                   | -25 ...+50 (-13...+122)   |
| Riflescope compatibility                               | Digisight Ultra N450/N455, Digisight Ultra N450/N455 LRF, Forward F455, Forward FN455 |
| Dimensions (L/H/W), mm                                 | 108/45/54 (51 without IR illuminator cover)   |
| inch   | 4.25/1.77/2.12 (2 without IR illuminator cover)                                       |
| Weight (with battery), g (oz)                          | 142 (5)   |

---

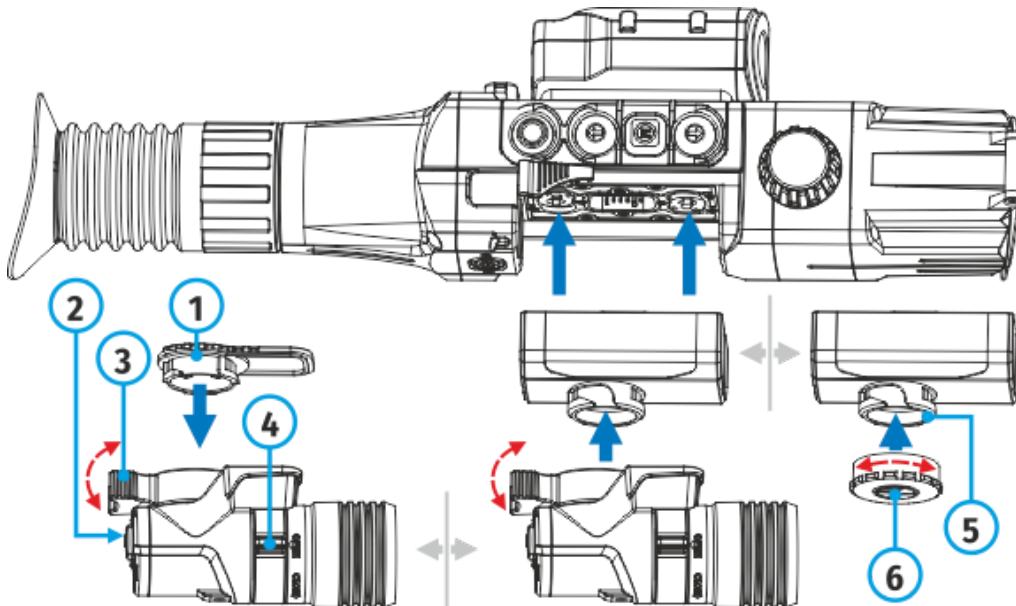
# Specifications

| <b>Model</b>   | <b>X940S</b>  |
|--|---|
| SKU  | 79199   |
| Type   | LED   |
| Wavelength, nm   | 940   |
| Lens diameter, mm                                      | 28  |
| Optical power of IR illuminator, mW                    | Up to 700   |
| Beam divergence angle, degrees                         | 13  |
| The possibility of spot alignment in the field of view | Yes   |
| Operating temperature range, °C (°F)                   | -25 ...+50 (-13...+122)   |
| Riflescope compatibility                               | Digisight Ultra N450/N455, Digisight Ultra N450/N455 LRF, Forward F455, Forward FN455 |
| Dimensions (L/H/W), mm                                 | 108/45/54 (51 without IR illuminator cover)   |
| inch   | 4.25/1.77/2.12 (2 without IR illuminator cover)                                       |
| Weight (with battery), g (oz)                          | 142 (5)   |

## Package contents

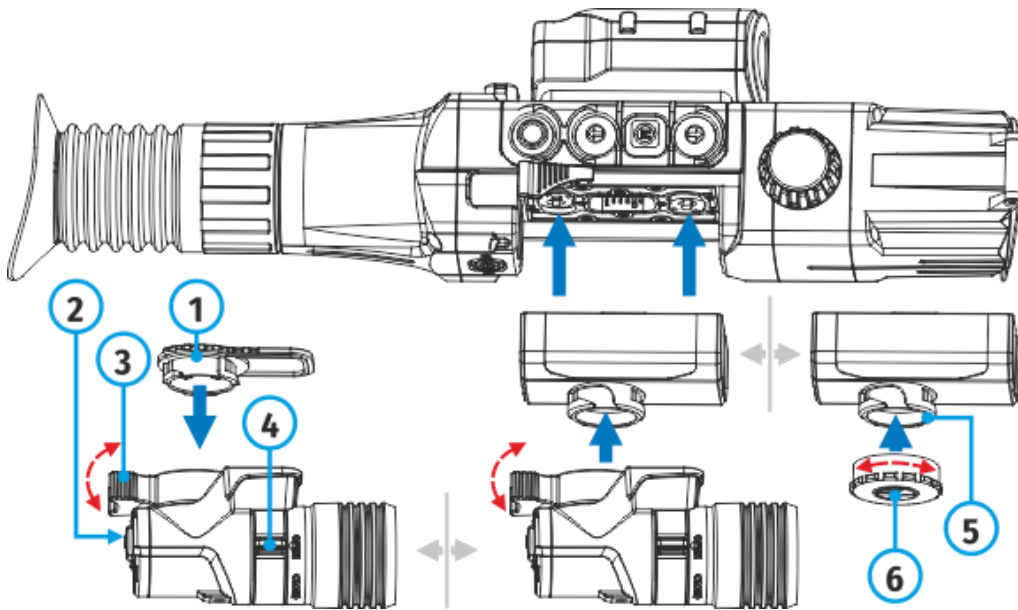
- IR illuminator
- Pin protective cover
- Carrying case
- Operating manual

# Installing the IR illuminator



1. If a standard IR illuminator is installed on the device, remove it according to the operations manual.
2. If the device does not have an IR illuminator, turn the plug **(6)** according to the image and pull it in the opposite direction from the device/ batter (Digisight Ultra LRF digital riflescopes).
3. Remove the cover **(1)** of the quick-release IR illuminator.
4. To do this, lift up the lever **(3)** gently holding the illuminator cover for the Digisight Ultra N450/N455 LRF digital riflescopes, Forward F455 attachments and Forward FN455 devices. For Digisight Ultra N450/N455 digital riflescopes – pull down the lever **(3)**.
5. Lift up the lever **(3)** of the IR illuminator.
6. Firmly attach the **Pulsar Ultra-X850S/-X940S** IR illuminator to the connector **(5)** in the device or battery (Digisight Ultra LRF riflescope).
7. Pull down/lift up the lever **(3)** (depending on the model of the device) to fix the IR illuminator on the device.

# Powering on and adjusting the IR illuminator



1. Make sure that the illuminator is mounted and connected to the device. To do this, turn on the device and check that there is no

**IR**

icon on the display.

2. To turn on the IR illuminator, briefly press the **ON/OFF (2)** button on the end of the illuminator. When turning on the power level is minimum (

**IR**

).

3. To switch the power level (

**IR**



or



), briefly press the **ON/OFF (2)** button of the IR illuminator.

4. The IR illuminator icon showing the appropriate power level (



,



or



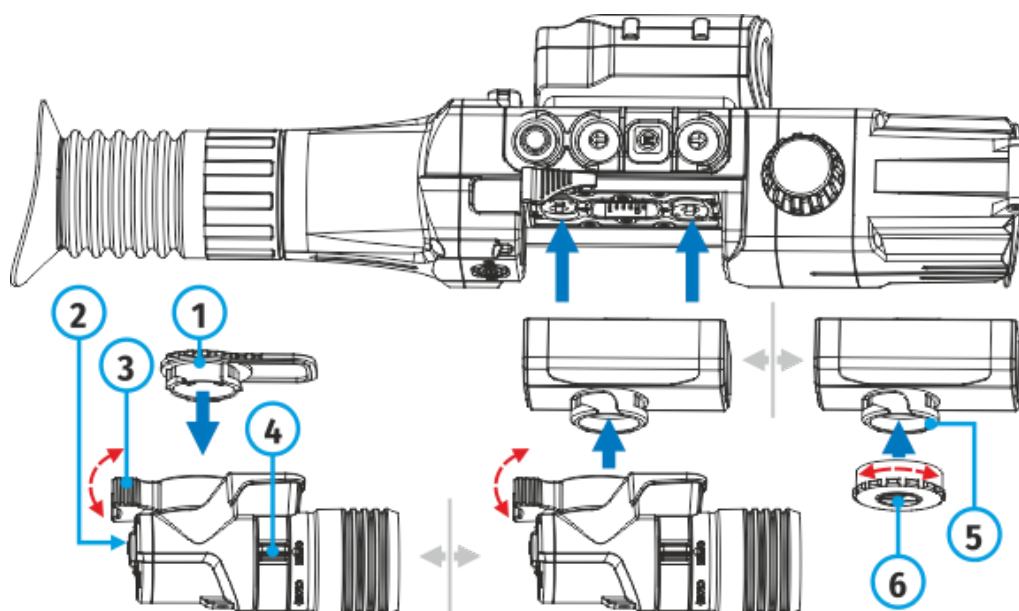
) is displayed in the status bar on the display of the digital device.

5. To align the position of the light spot in the field of view, turn the lens lock knob **(4)** of the IR illuminator to the OPEN position.
6. By rotating the lens of the IR illuminator, achieve the required position of the light spot in the field of view. After successful adjustment, rotate the lock knob towards the CLOSE while holding the lens in the desired direction to lock the IR illuminator lens.
7. To turn off the illuminator, press and hold the **ON/OFF (2)** button on the end of the illuminator.

#### Notes:

- When the IR illuminator is turned off or removed, the power level is not saved in the memory of the device.
- The infrared illuminator is powered by the digital device.

# Removing the IR illuminator



1. To remove the **Pulsar Ultra-X850S/-X940S** illuminator, lift up or lower down the lever **(3)** (depending on the type of the device). Gently pull the illuminator away from the device.
2. Mount the connector plug **(6)** of the IR illuminator on the digital device.
3. Mount the cover **(1)** on the IR illuminator. To do this, insert the cover and lock it by lifting up the lever **(3)**.
4. The status bar will show an icon of the disconnected IR Illuminator (

IR

).

## Precautions



- Keep water away from the device. This can disable it.
  - Independent alterations or repair of the illuminator are prohibited.
  - Contact the manufacturer for qualified support if any issues arise.
- 

## Maintenance

- Clean the outer surface with a cloth slightly soaked in synthetic detergent.
  - Flick the dust off the lenses with a soft brush.
  - If necessary, clean the lens with a soft cotton cloth moistened with ethyl alcohol or special multi-layer lens liquid.
  - Condensation may form on optical surfaces when moving the illuminator from cold to warm. It is a common occurrence and the condensate should disappear within an hour.
- 

## Troubleshooting

For technical support please contact [support@pulsar-vision.com](mailto:support@pulsar-vision.com).

Answers to frequently asked questions about the devices can also be found in the [FAQ](#) section.



## The illuminator is not working

**Possible cause**

No contact with the device.

**Solution**

Make sure that the illuminator is firmly fixed on the device.

Check that the floating contacts of the illuminator and the device are not become jammed.

## Uneven light emission of IR spot

**Possible cause**

Dirty lens.

**Solution**

Clean the lens as described in the **Maintenance** section.

---

## Legal compliances and disclaimers

**Updates of the Product.** The manufacturer reserves the right at any time, without mandatory prior notice to the Customer, to make changes to the package contents (subject to the applicable laws, if any), design and characteristics that do not impair the quality of the Product.

**Repair.** Repair of the product is available within 5 years after purchase of the product.

**Limitation of Liability.** Subject to mandatory applicable laws and regulations: manufacturer will not be liable for any claims, actions, suits, proceedings, costs, expenses, damages or liabilities (if any), arising out of the use of this product. Operation and use of the product are the sole responsibility of the Customer. Manufacturer's sole undertaking is limited to providing the product(s) and related services in accordance with the terms and conditions of concluded transactions, including provisions established in warranty. The provision of products sold and services performed by Manufacturer to the Customer shall not be interpreted, construed, or regarded, either expressly or implied, as being for the benefit of or creating any obligation toward any third party (other than Distributor, Dealer, Buyer). Manufacturer's liability hereunder for damages, regardless of the form or action, shall not exceed the fees or other charges paid to Manufacturer for the product(s) and/or service(s).

MANUFACTURER WILL NOT BE LIABLE FOR LOST REVENUES OR INDIRECT, SPECIAL, INCIDENTAL, CONSEQUENTIAL, EXEMPLARY, OR PUNITIVE DAMAGES, EVEN IF THE MANUFACTURER KNEW OR SHOULD HAVE KNOWN THAT SUCH DAMAGES WERE POSSIBLE AND EVEN IF DIRECT DAMAGES DO NOT SATISFY A REMEDY.

CE UK  
CA

