

RIFLE MOUNTS Manual

[Description](#)

[Description](#)

[Package contents](#)

[Installation procedure](#)

[Mount position options](#)

[Legal compliances and disclaimers](#)

Description

Pulsar Weaver LQD quick-release universal rifle mounts are designed to enable quick installation of Talion, Trail and Digisight/Digisight Ultra series riflescopes on a hunting shotgun.

The Weaver LQD rifle mount is 97 mm in length.

Description

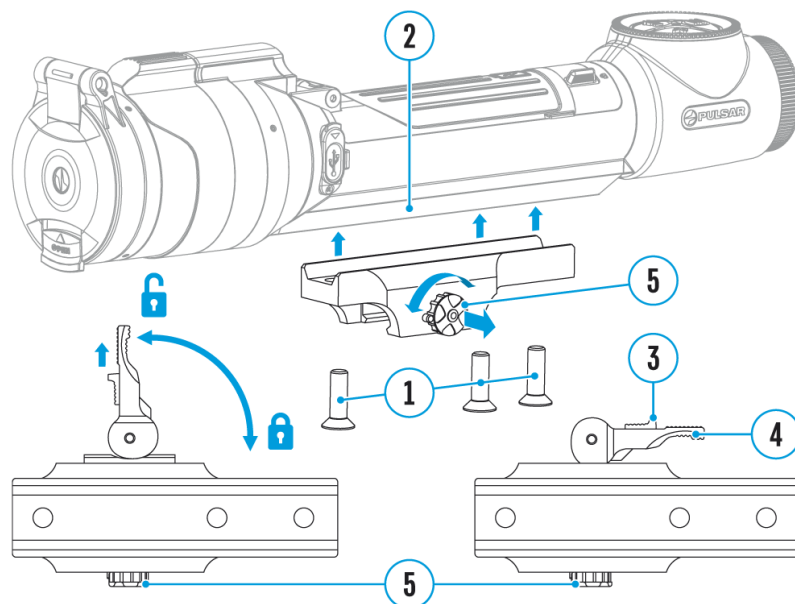
Les supports universels pour fusil Pulsar Weaver LQD sont conçus pour permettre l'installation rapide des télescopes Talion, Trail et Digisight/Digisight Ultra sur un fusil de chasse.

Le support de fusil Weaver LQD mesure 97 mm de long.

Package contents

- Rifle mount
- Fixing screws (3 screws M6X12)
- T30 Torx wrench
- Operating manual
- Warranty card

Installation procedure



Important

Mounting slots in the riflescope base enable installation of the rifle mount in various different **positions**. Choosing the rifle mount position helps to ensure correct eye relief, depending on the type of hunting shotgun.

Installation

1. Attach the rifle mount to the riflescope base **(2)** using a T30 Torx wrench and screws **(1)** (clamping force – 4 Nm/35.4 in-lbs).
2. Pull the lock **(3)** to the side and turn the clasp **(4)** to the Open position



while holding the lock.

3. Mount the riflescope on the weapon rail and make sure the selected position is comfortable.
4. Remove the riflescope from the weapon rail.
5. Unscrew the screws one by one, apply a drop of threadlocker (e.g. Loctite 638) and screw back until it stops (clamping force – 4 Nm/35.4 in-lbs). Allow the threadlocker to dry as required.
6. Install the rifle mount with a riflescope on the weapon rail.
7. Move the clasp **(4)** to the Closed position



8. If there is any backlash, do the following:

- Move the clasp **(4)** to the Open position



and push it until the adjusting nut **(5)** disengages from the stopper.

- Keeping the clasp **(4)** pressed, turn the adjusting nut **(5)** clockwise.
- Check the clasp **(4)** fixation by moving it back to the Closed position



. The clasp **(4)** should move with little effort. There should be no backlash of the riflescope relative to the weapon rail.

- If necessary, loosen or tighten the adjusting nut **(5)** as described above.

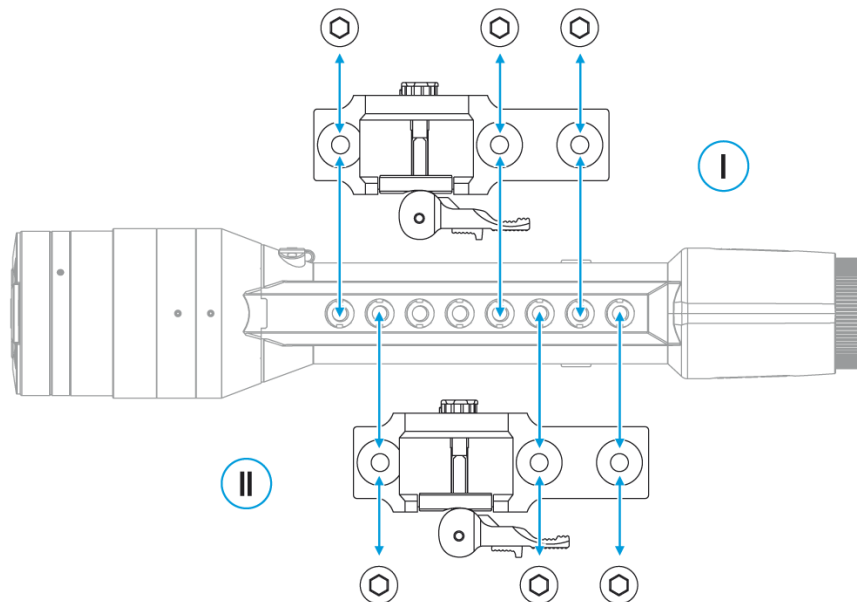
9. Move the clasp **(4)** to the Open position



, the rifle mount should be easy to remove from the rail.

10. The riflescope is ready for zeroing.

Mount position options



Legal compliances and disclaimers

Updates of the Product. The manufacturer reserves the right at any time, without mandatory prior notice to the Customer, to make changes to the package contents (subject to the applicable laws, if any), design and characteristics that do not impair the quality of the Product.

Limitation of Liability. Subject to mandatory applicable laws and regulations: manufacturer will not be liable for any claims, actions, suits, proceedings, costs, expenses, damages or liabilities (if any), arising out of the use of this product. Operation and use of the product are the sole responsibility of the Customer. Manufacturer's sole undertaking is limited to providing the product(s) and related services in accordance with the terms and conditions of concluded transactions, including provisions established in warranty. The provision of products sold and services performed by Manufacturer to the Customer shall not be interpreted, construed, or regarded, either expressly or implied, as being for the benefit of or creating any obligation toward any third party (other than Distributor, Dealer, Buyer). Manufacturer's liability hereunder for damages, regardless of the form or action, shall not exceed the fees or other charges paid to Manufacturer for the product(s) and/or service(s).

MANUFACTURER WILL NOT BE LIABLE FOR LOST REVENUES OR INDIRECT, SPECIAL, INCIDENTAL, CONSEQUENTIAL, EXEMPLARY, OR PUNITIVE DAMAGES, EVEN IF THE MANUFACTURER KNEW OR SHOULD HAVE KNOWN THAT SUCH DAMAGES WERE POSSIBLE AND EVEN IF DIRECT DAMAGES DO NOT SATISFY A REMEDY.

For technical support please contact support@pulsar-vision.com.

Answers to frequently asked questions about the devices can also be found in the [FAQ](#) section.