

WIRELESS REMOTE CONTROL

Manual

[Description](#)

[Specifications](#)

[Descriptions of controls](#)

[Remote control activation](#)

[Supported devices](#)

[Troubleshooting](#)

Description

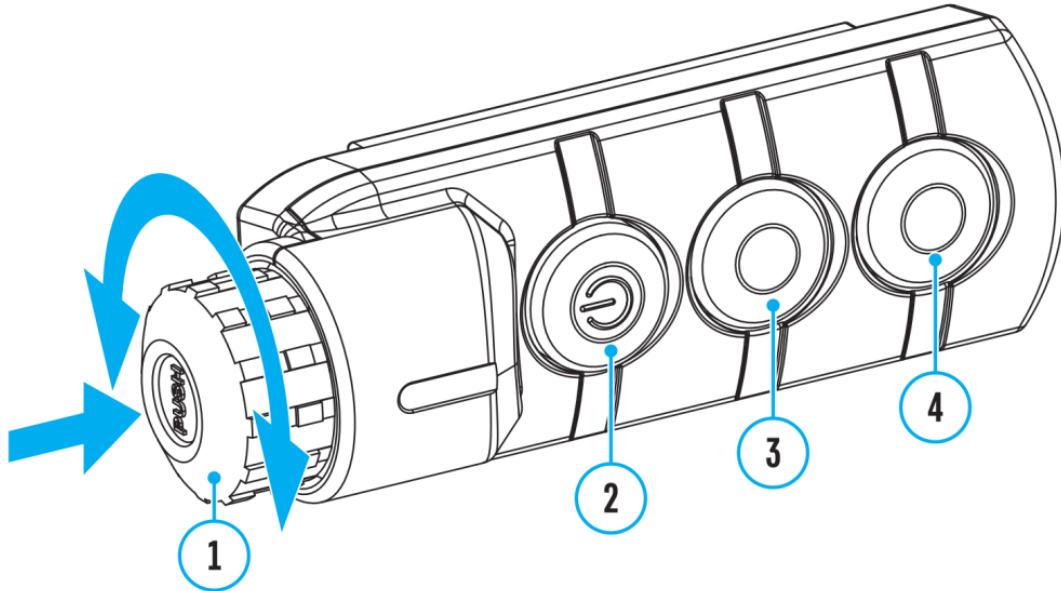
The Wireless Remote Control Pulsar BT is designed to control remotely device's selected functions and to navigate its menu.

The Remote Control is compatible with the following models: Krypton 1-2, Proton, Forward, Forward S, Thermion 2 LRF, Thermion 2 Pro, Talion, Trail 3, Digex C50.

Specifications

SKU	79142
Frequency	2.4 GHz
Standard	IEEE 802.15.1
Line-of-sight reception range, m	At least 5
Voltage / Battery	3V / CR2032
Dimensions, mm / inch	94×30×28 / 3.7×1.2×1.1
Weight, g / oz	32 / 1.1

Descriptions of controls



Controller (1)

Short press

- Enter quick menu
- Enter main menu submenu
- Confirm selection
- Switch to the next submenu option

Long press

- Enter main menu

Clockwise rotation

- **Quick menu:** Increase parameter value
- **Main menu:** Navigate upwards

Counter-clockwise rotation

- **Quick menu:** Decrease parameter value

- **Main menu:** Navigate downwards
-

Button (2)

Short press

- Calibrate the microbolometer
- Turn display on *

Long press

- Turn display off
 - Turn device off *
-

Button (3)

Short press

- Turn IR illuminator on
- Switch IR illuminator power level
- Toggle between observation modes *

Long press

- Turn IR illuminator off
 - Switch between colour palettes *
-

Button (4)

Short press

- Start video recording
- Take a photograph

Long press

- Switch between photo and video modes
-

* Button functions may vary depending on the Pulsar model.

For detailed description of the Pulsar BT please refer to the user manuals of the respective devices

Remote control activation

To start operate the remote control, remember to activate it as follows:

- Go to the Bluetooth submenu of the Pulsar device.
- Press and hold any button on the Remote Control. The Remote Control is visible in the Bluetooth network and can be connected during this time.
- Select the Remote Control from the Bluetooth submenu of the Pulsar device.
- Once paired, the Remote Control can operate the Pulsar device.
- Going forward, the Remote Control will automatically connect to the paired device when within visible range.

Note: Only one Remote Control can be connected to the device at a time.

Supported devices

Device	SKU
Trail 3 LRF XR50	76588
Trail 3 LRF XR50 (with Weaver LQD mount)	76588L
Trail 3 LRF XR50 (with Weaver N mount)	76588W
Trail 3 LRF XR50 (with Weaver SQD mount)	76588WS
Trail 3 LRF XQ50	76585
Trail 3 LRF XQ50 (with Weaver LQD mount)	76585L
Trail 3 LRF XQ50 (with Weaver N mount)	76585W
Trail 3 LRF XQ50 (with Weaver SQD mount)	76585WS
Thermion 2 LRF XP50 Pro	76551
Thermion 2 LRF XQ50 Pro	76555
Thermion 2 LRF XG50	76554
Thermion 2 LRF XL50	76557
Thermion 2 XP50 Pro	76547
Thermion 2 XQ50 Pro	76548
Thermion 2 XQ35 Pro	76541
Thermion Duo DXP50	76571
Thermion Duo DXP55	76572
Talion XG35	76563
Talion XG35 (with Weaver U mount)	76563U
Talion XG35 (with Weaver USQD mount)	76563S

Talion XG35 (with Weaver LQD mount)	76563L
Talion XQ35 Pro	76566
Talion XQ35 Pro (with Weaver U mount)	76566U
Talion XQ35 Pro (with Weaver USQD mount)	76566S
Talion XQ35 Pro (with Weaver LQD mount)	76566L
Talion XQ38	76561
Talion XQ38 (with Weaver U mount)	76561U
Talion XQ38 (with Weaver USQD mount)	76561S
Talion XQ38 (with Weaver LQD mount)	76561L
Krypton 2 FXQ35	76654
Krypton 2 XQ35	77374
Krypton 2 FXG50	76659
Krypton 2 XG50	77379
Krypton FXG50	76655
Krypton XG50	77375
Proton FXQ30	76653
Proton XQ30	77378
Digex C50	76635
Digex C50 (with Pulsar Digex-X850S IR Illuminator)	76635L
Digex C50 (with Pulsar Digex-X940S IR Illuminator)	76635I
Forward F455S	78189
Forward FN455S	78199
Forward F455	78186
Forward FN455	78196

Troubleshooting

The device does not work when pressing the Remote Control buttons or rotating the controller.

Check

The Remote control is not activated

Corrective action

Activate the remote control according to instructions

Check

Low battery

Corrective action

Install a new CR2032 battery as follows: unscrew the screws on the rear cover of the Remote Control, remove the cover, install a new battery, and screw the cover with screws.

Check

The Remote Control is out of range of the device.

Corrective action

Return to the device coverage area.

Check

The Remote Control does not work if the device is turned off.

Corrective action

Turn on the device

